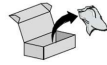


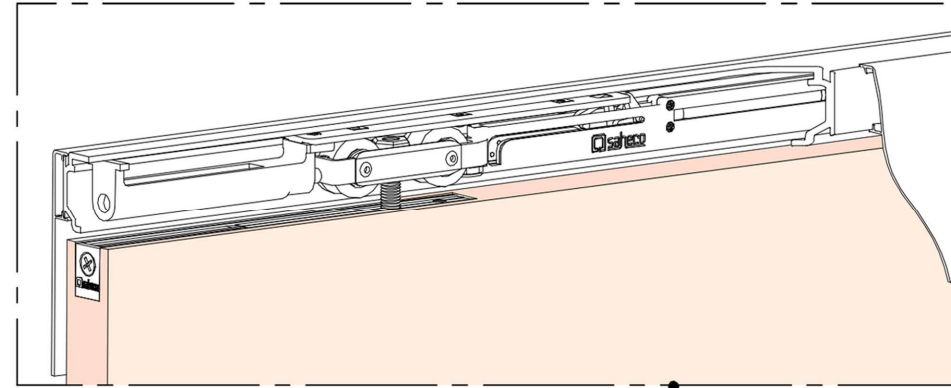
CODE: 098190



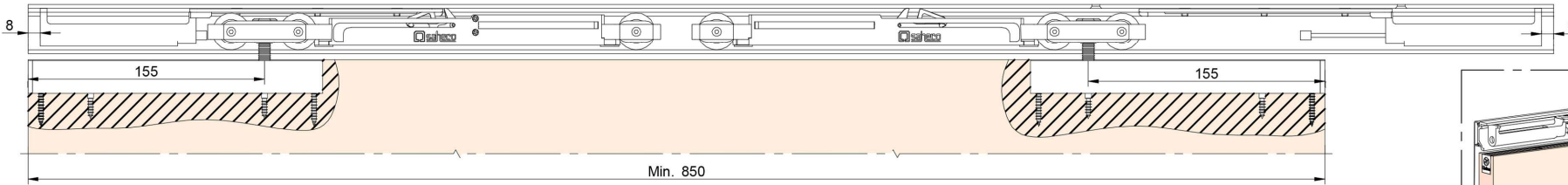
CODE: 8084

e		1
f		4
g		1

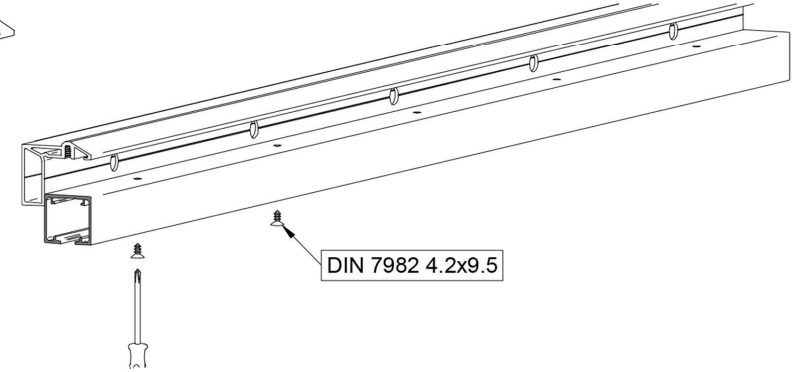
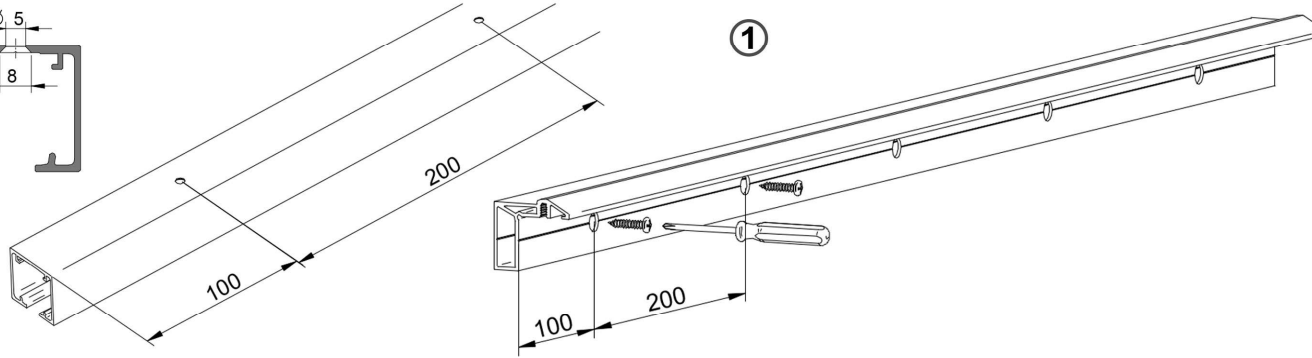
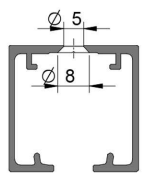
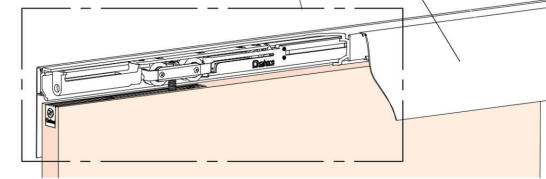
h		2
j		2
k		2
m		4
n		4



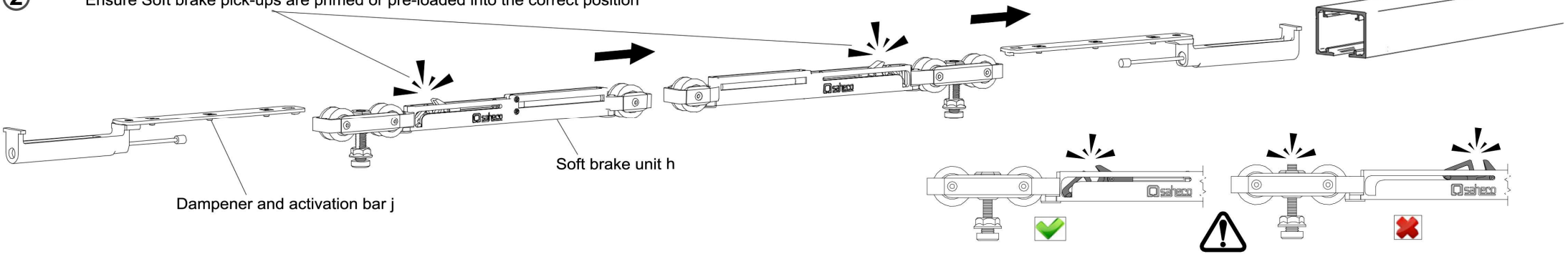
STAR 90 Soft Brake Low Headroom, concealed fix
(Double Soft Brake Version)

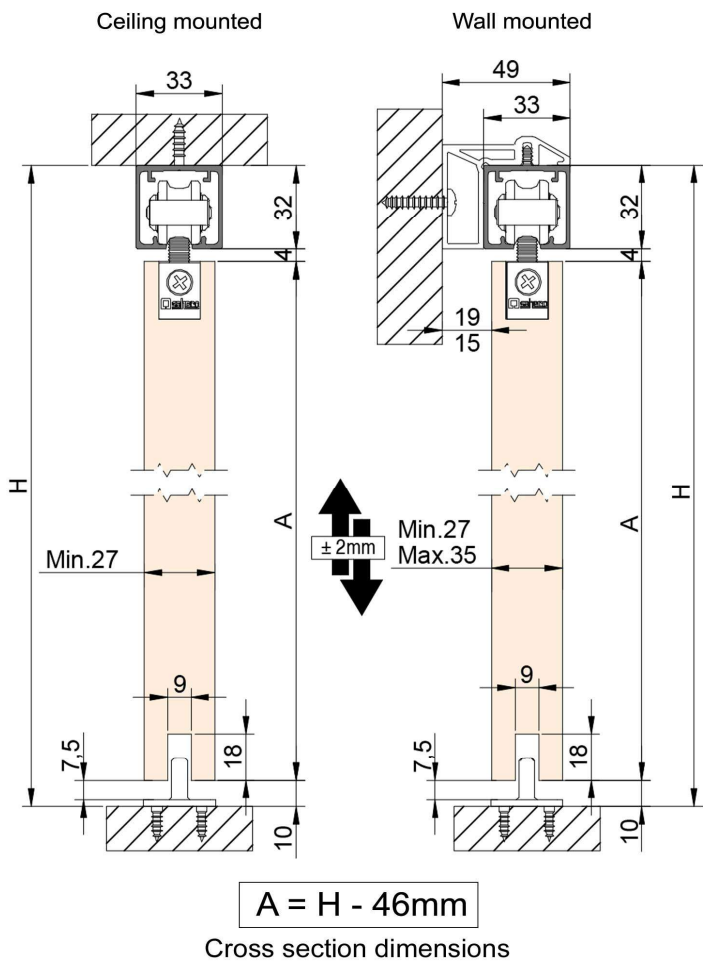


Optional pelmet

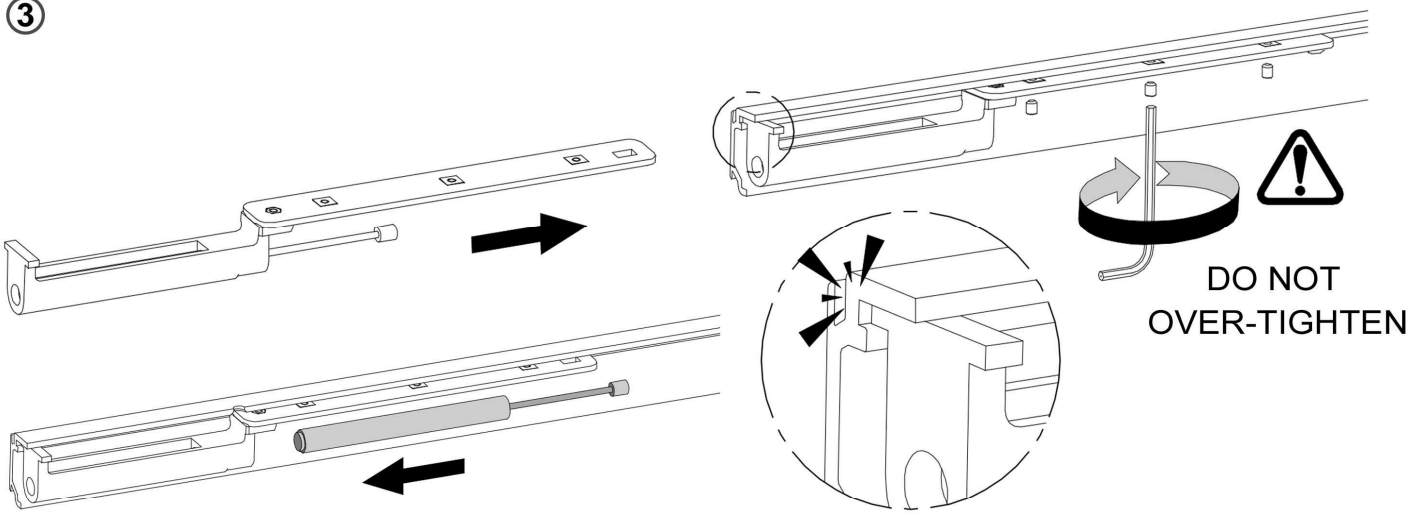


② Ensure Soft brake pick-ups are primed or pre-loaded into the correct position

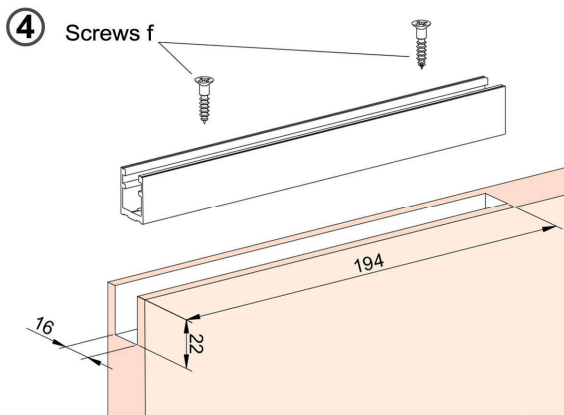




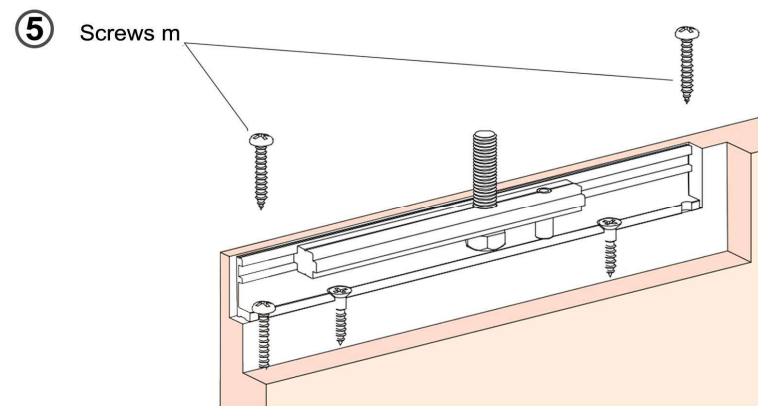
③



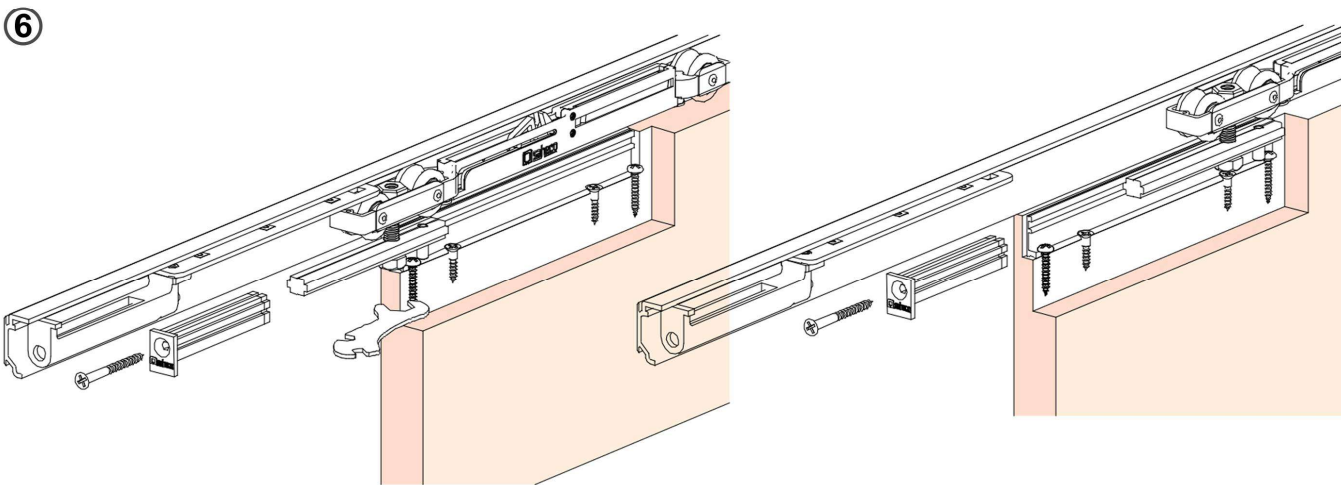
④



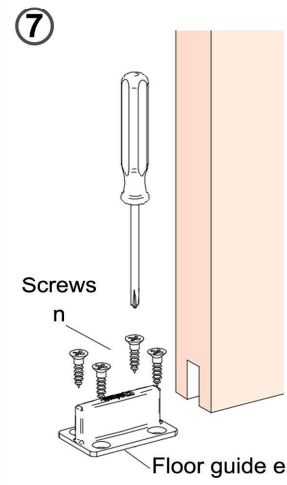
⑤



⑥



⑦



⑧

