

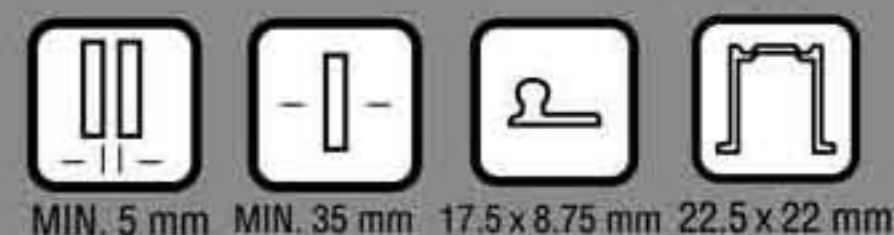


# SF-70

70Kg

**The SF-70 system is characterised by:**

*The SF-70 system is distinguished by: Flush-mounted and overlaid profiles. Upper profile in natural aluminium (fig.1). Lower profile in natural aluminium (fig.3). Minimum gap between the leaf and the profile. Nylon wheel with ball bearing (fig.2).*



MIN. 5 mm MIN. 35 mm 17.5x8.75 mm 22.5x22 mm

**Technical characteristics**



fig.1

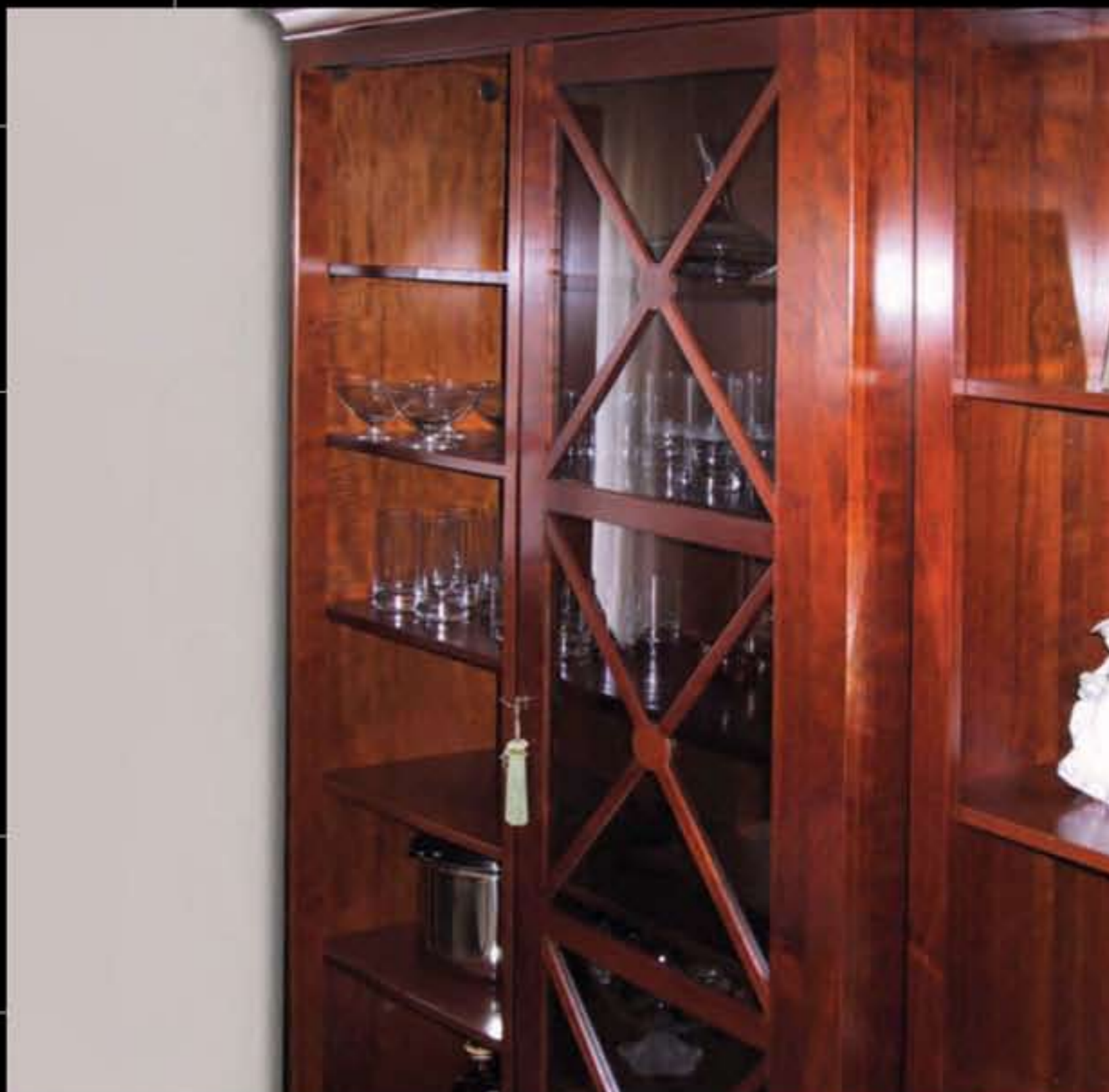


fig.2

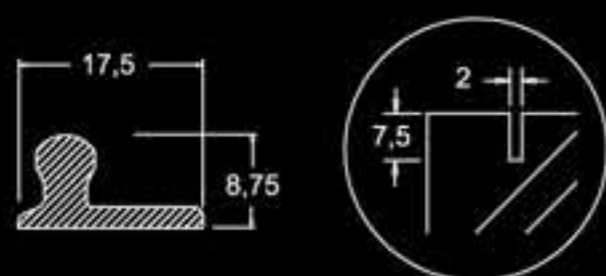


fig.3

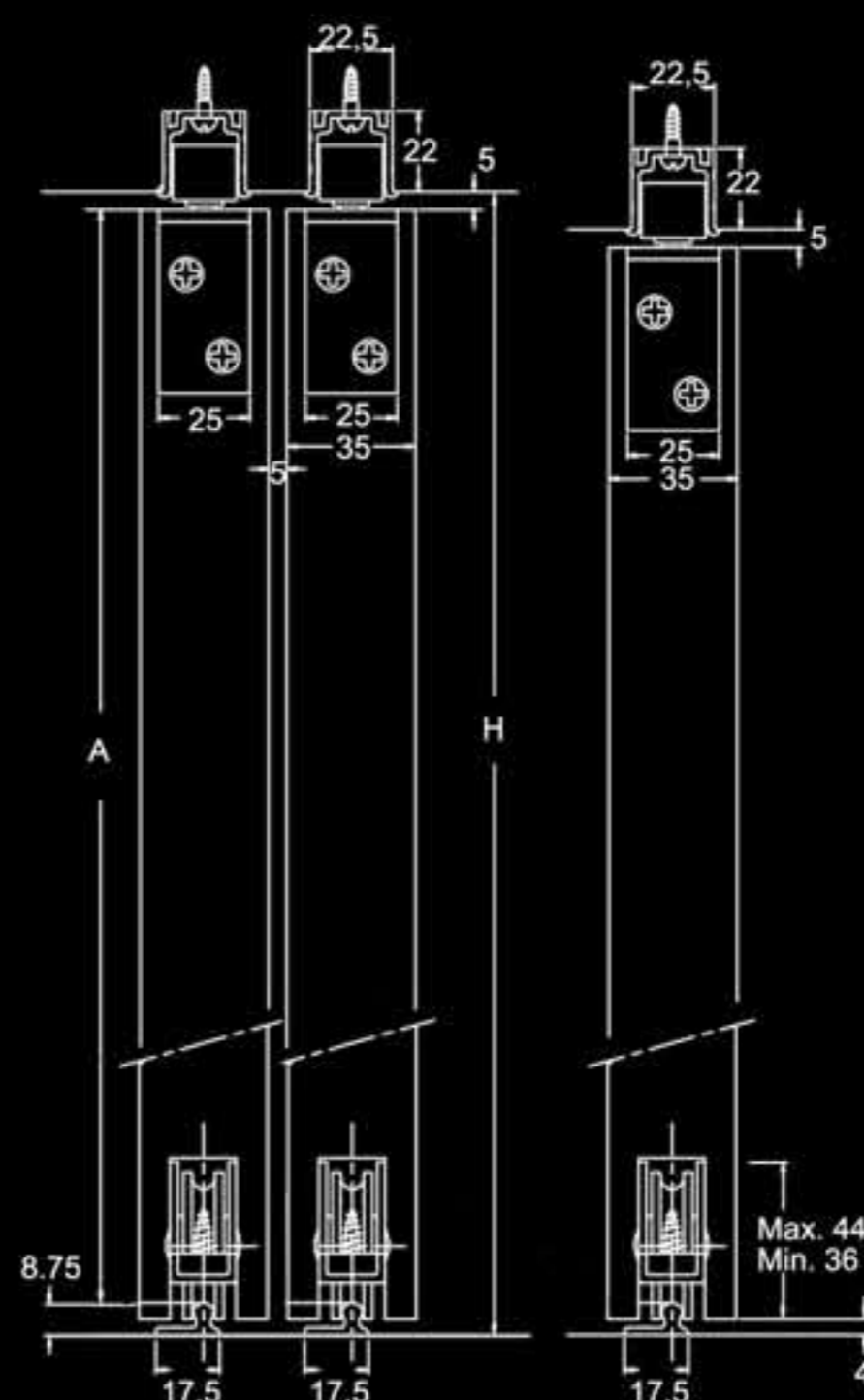
# SF-70



## Installation possibilities

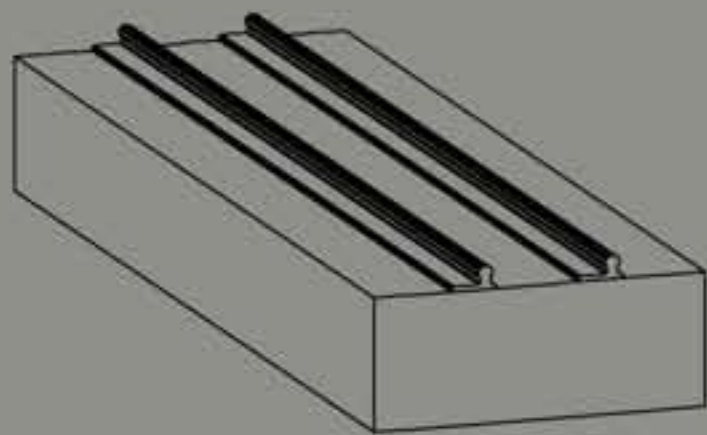


Standard elevation and cross-section  
Dimensions in mm



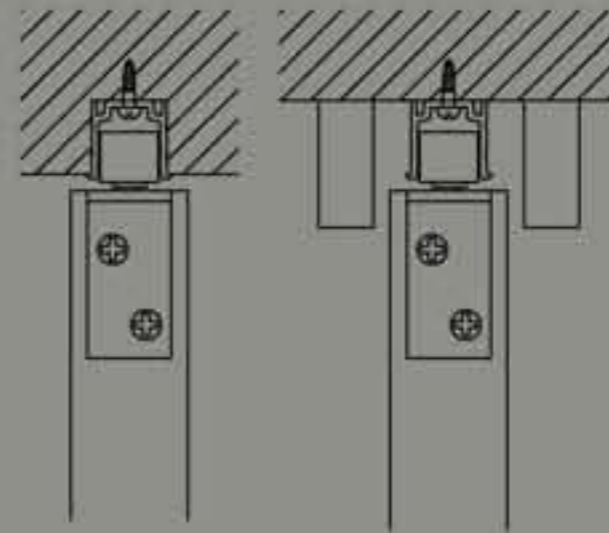
For sliding doors of up to 70 Kg weight

# SF-70

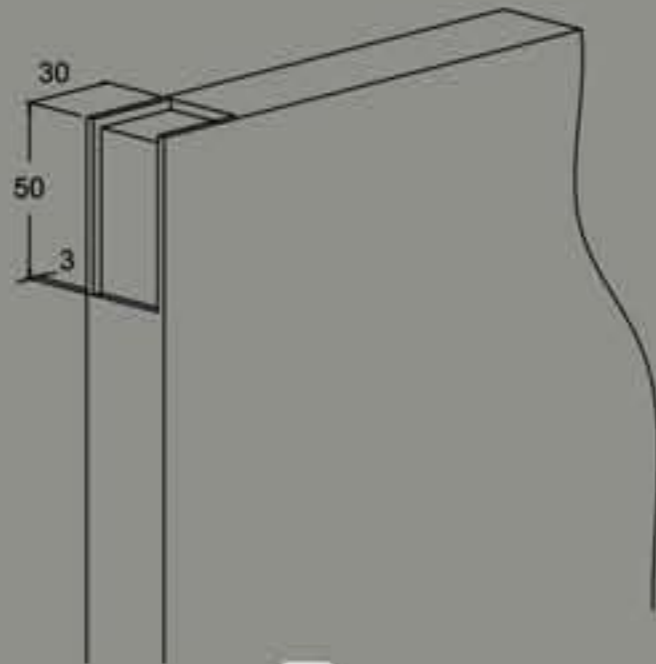


A = H - 9

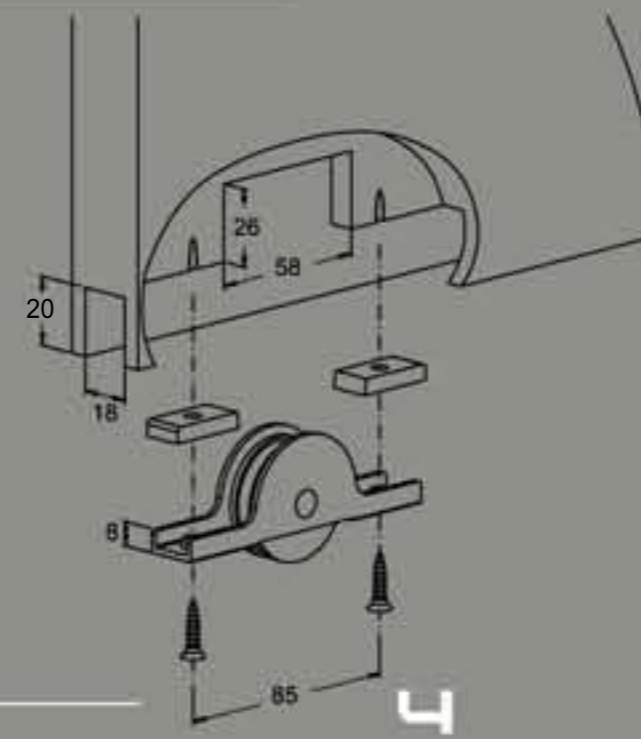
1



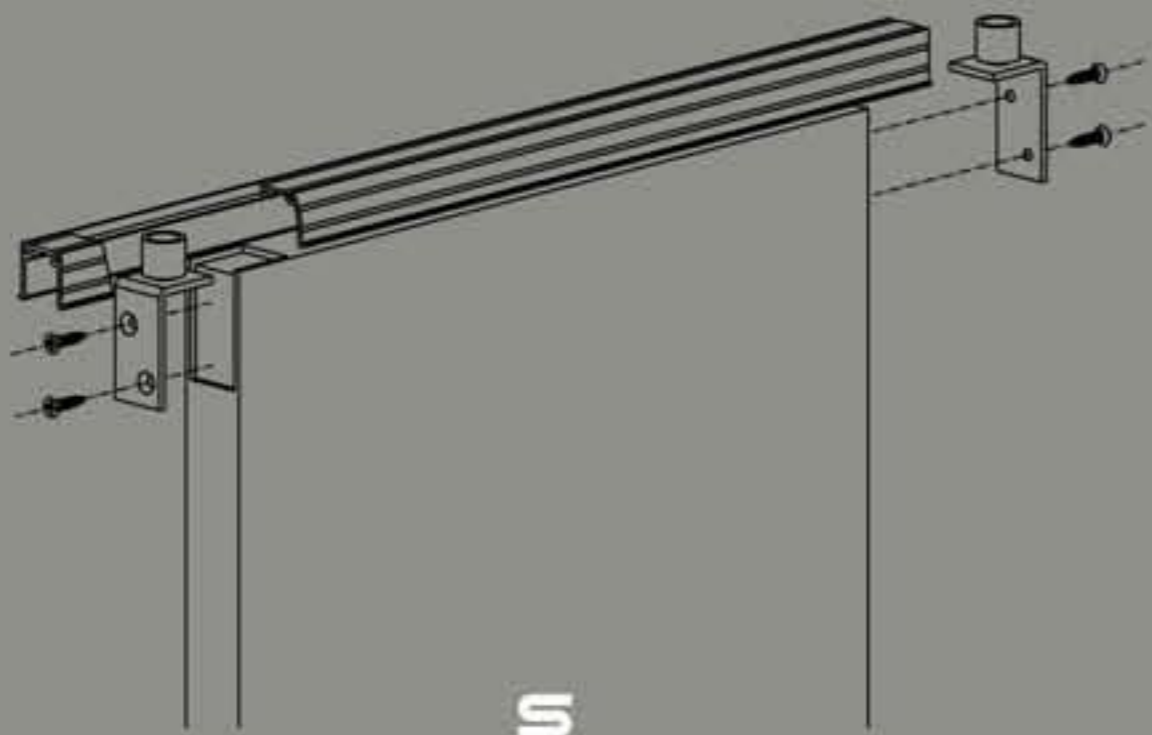
2



3



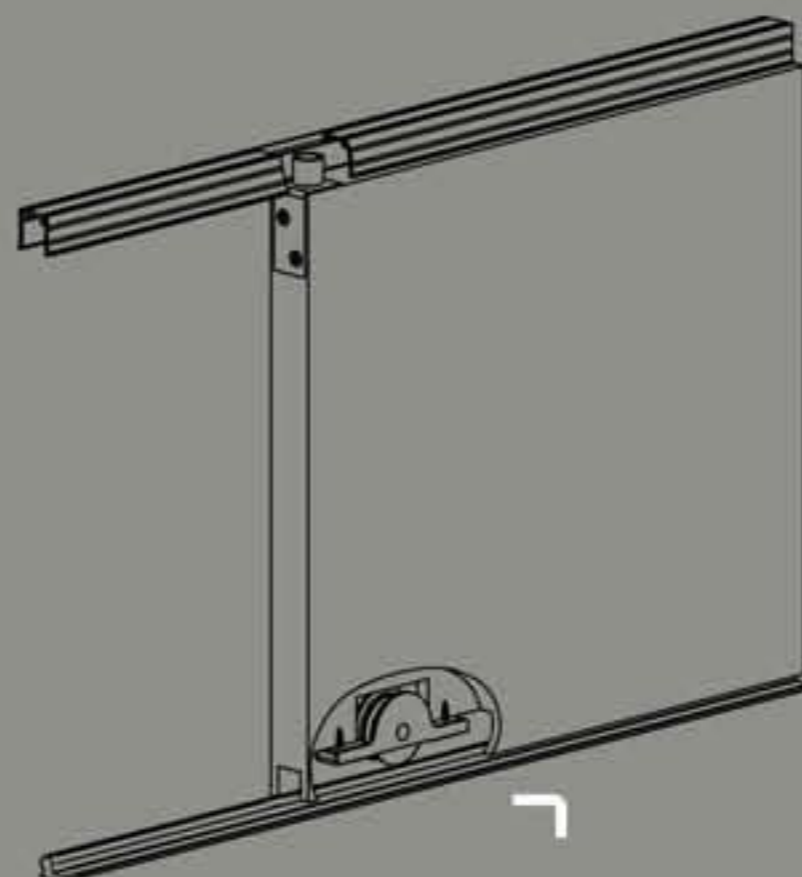
4



5



6



7