



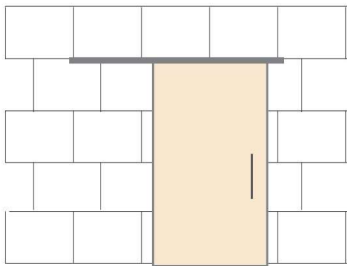
## CREATE SPACES WITH OUR RANGE OF EXCELLENCE 90 SOFT BRAKE SLIDING DOOR GEAR

**Excellence, a single track with multiple options for doorway applications:**

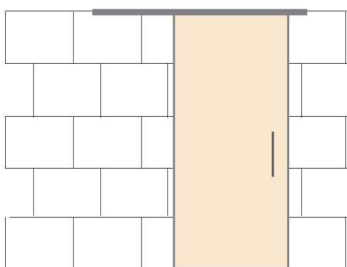
- Wall or ceiling installation
- Satin anodised aluminium finish
- Smooth and elegant design
- Direct wall mounting without the need for additional mounting brackets
- Solution for panels up to 90kgs each
- Ball bearing rollers for silent and effortless sliding
- Soft closing feature available for a soft and impact-free closing
- Soft close either single action or double action for maximum flexibility
- Applus quality certificate according to EN1527 standard

### Installation possibilities

#### WALL MOUNTED

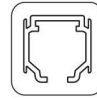


#### CEILING MOUNTED



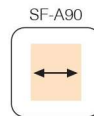
### Technical characteristics

#### Profile



33x33 mm

#### Specifications



**SF-A90**  
**1 Softbrake**  
MIN. 600 mm  
**2 Softbrakes**  
MIN. 825 mm



MIN. 27 mm



SOFTBRAKE  
MAX.90Kg



BALL BEARING



SUPPLIED  
IN KITS

#### Door weight

90 kg      198 lb



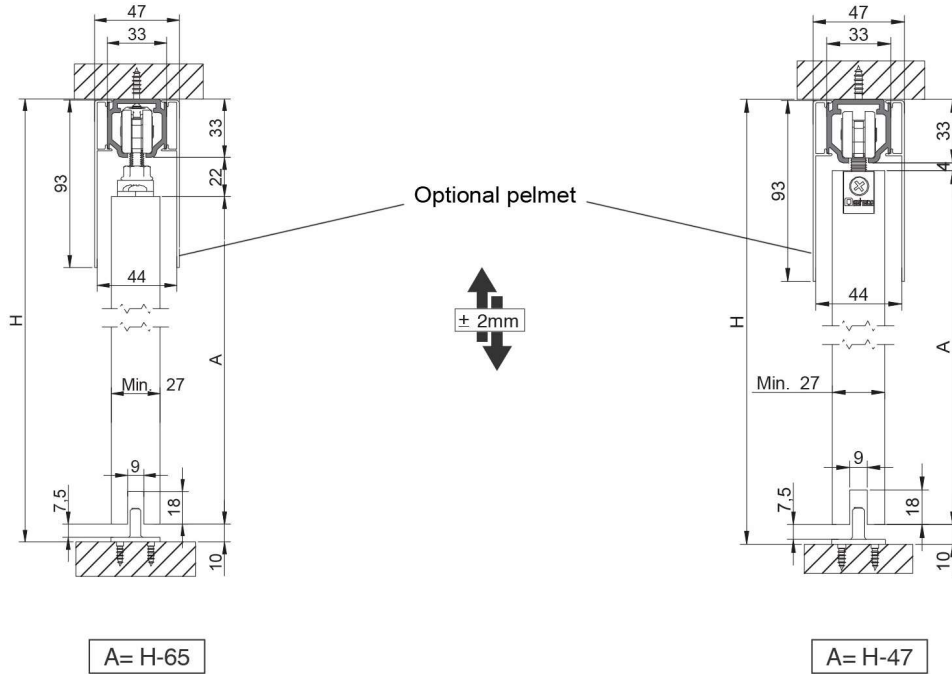
Cross section Dimensions in mm

CEILING MOUNTED



With plate mounting bracket

Low headroom bracket option

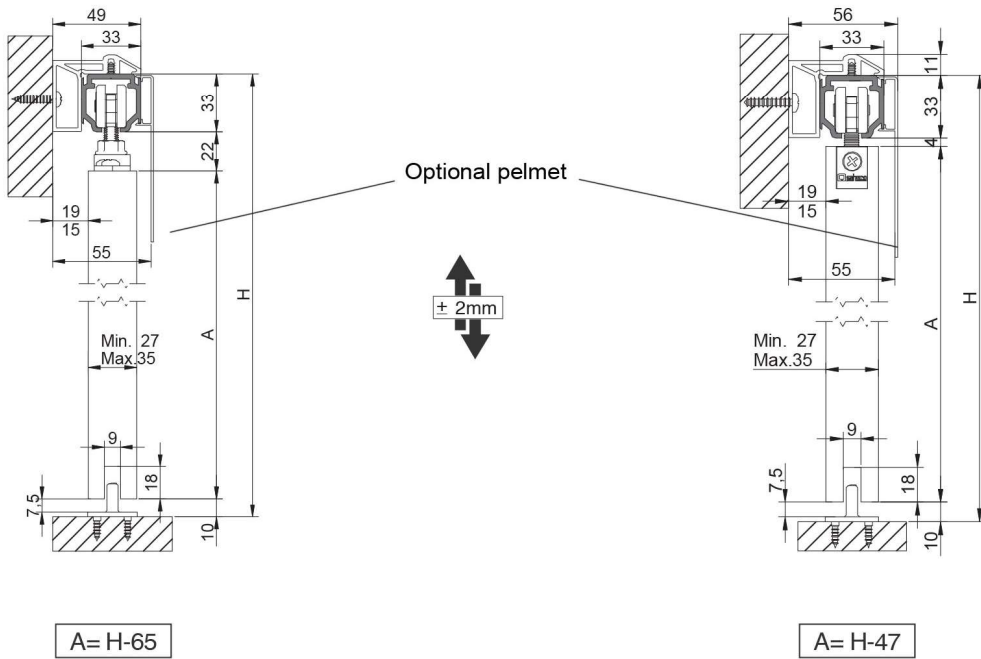












WALL MOUNTED, with optional concealed fix mounting bracket

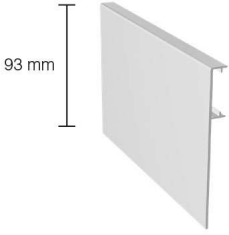


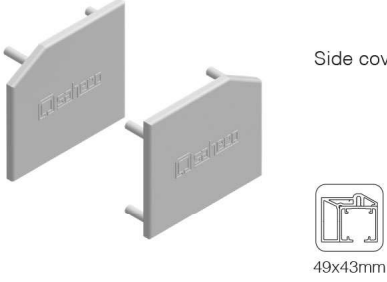



With plate mounting bracket

Low headroom bracket option



COMPONENTS	Finish	Code	Size
 <p>Excellence Top track.</p> <p>90kg</p>  <p>33x33mm</p>	SAA Satin Anodised Aluminium	0 105 24 0 105 34 0 105 54	2 m 3 m 5 m
 <p>SF-A90 Fitting set with single softbrake and retaining brake</p> <p>90kg</p>  <p>BALL BEARING</p> <p>(1 x Softbrake)</p>		09 81 91	
 <p>SF-A90 Fitting set with x2 softbrake</p> <p>90kg</p>  <p>BALL BEARING</p> <p>(2 x Softbrake)</p>		09 81 90	
 <p>SF-A90 Roller with screw</p>  <p>BALL BEARING</p>		00 80 52	
 <p>SF-A90 Retaining track stopper</p>		00 60 57	
 <p>Bottom guide</p>		00 35 54	

OPTIONAL EXTRAS		Finish	Code	Size
 <p>93 mm</p>	Clip on pelmet cover	SAA Satin Anodised Aluminium	00 64 23 00 64 33 00 64 53	2 m 3 m 5 m
	Clip on bracket for timber pelmet covers		00 60 56	
 <p>Star fixing track. Wall mounting</p> <p>49x43mm</p>		SAA Satin Anodised Aluminium	00 82 27 00 82 37 00 82 57	2 m 3 m 5 m
 <p>Side cover set. Wall mounting.</p> <p>49x43mm</p>		Silver Painted Plastic	00 52 15	
	Lateral fixing plate for panels of small thickness		00 40 59	