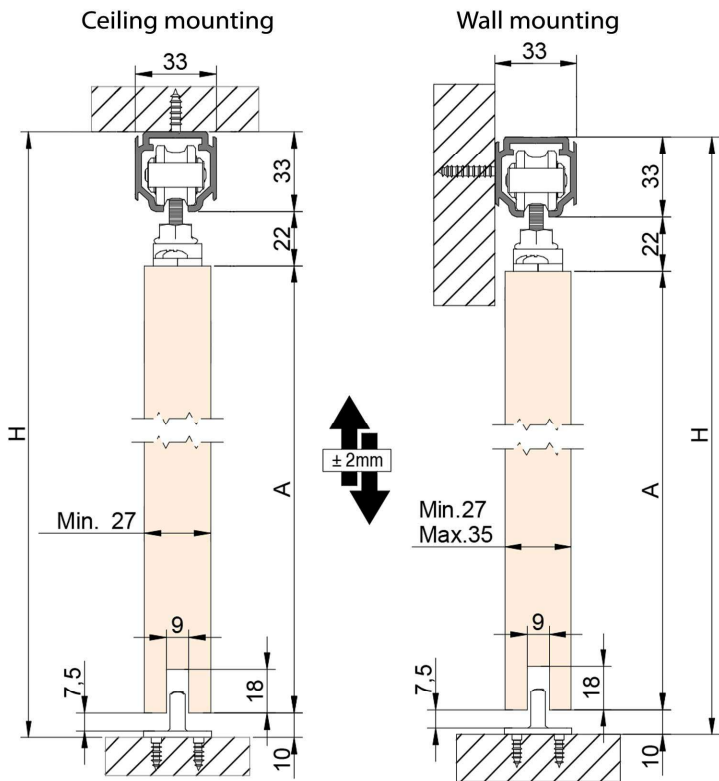
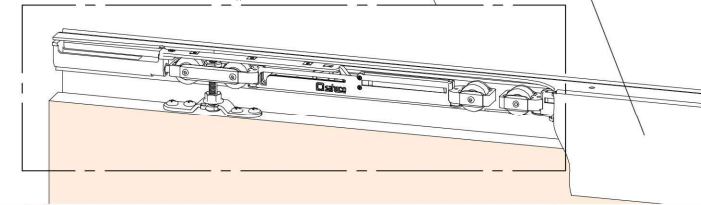
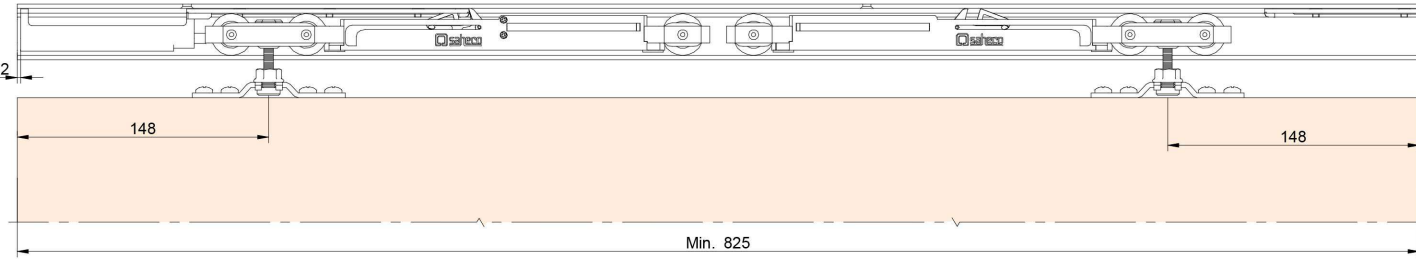
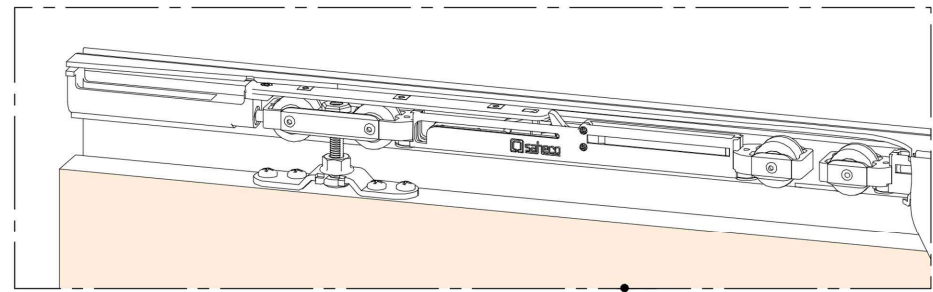


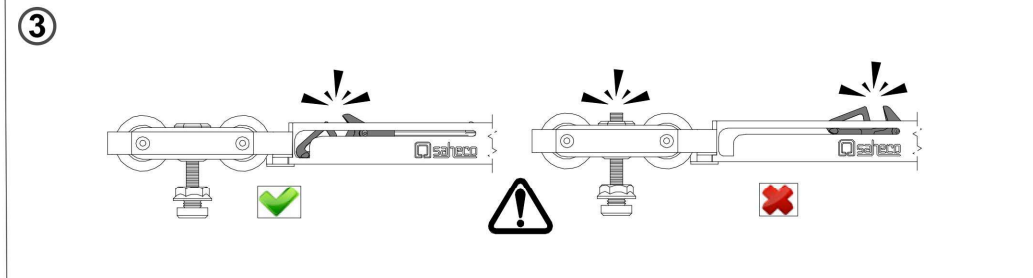
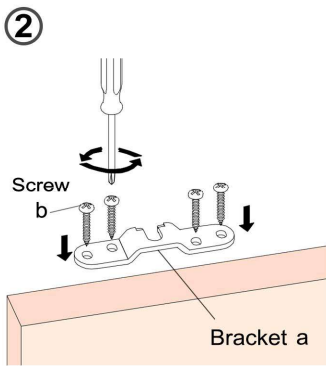
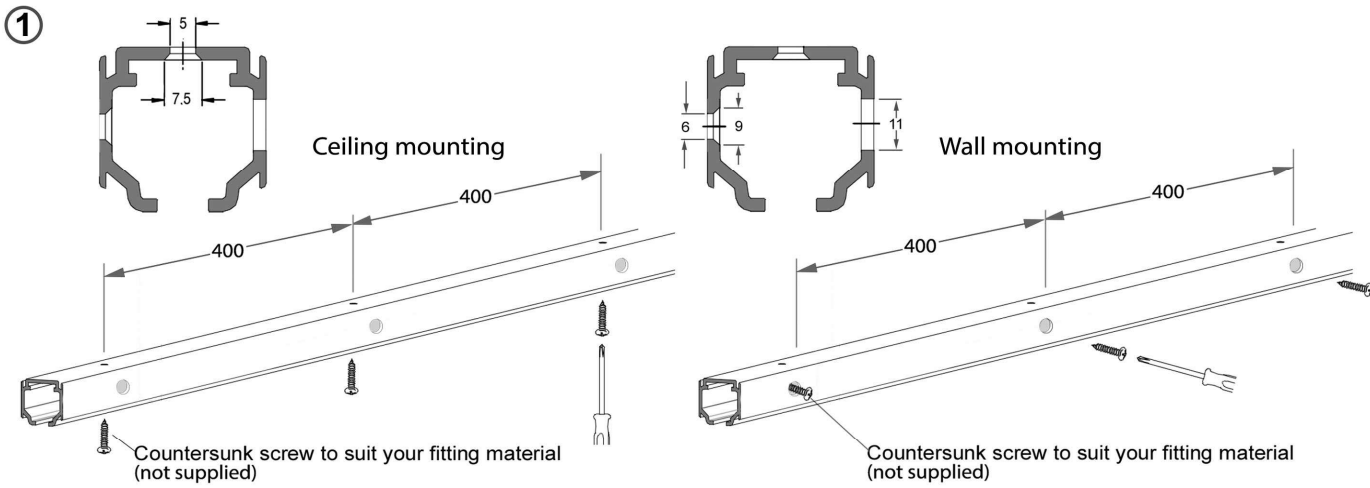


CODE: 098190

a		2	c		1	f		2
b		8	d		4	g		2
				DIN 7505 A 4x20				
			e		1			
				DIN 7505 B 5x25				



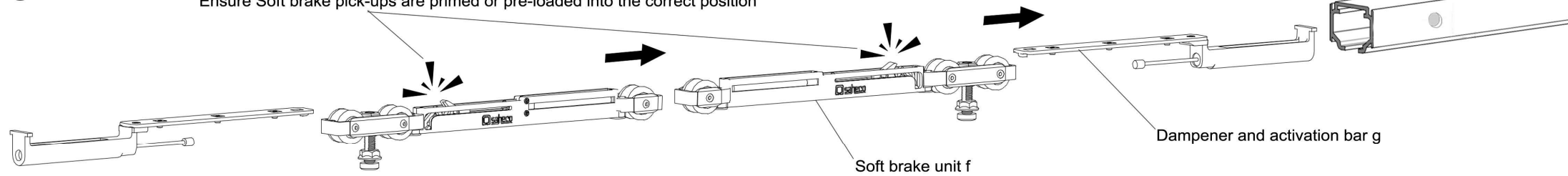
$A = H - 65$



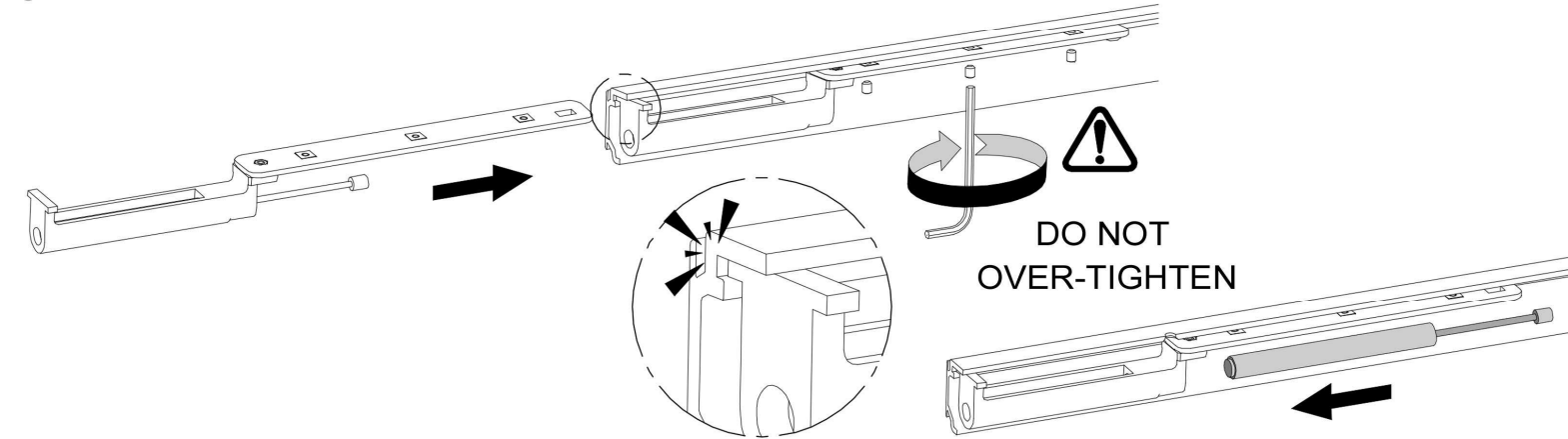
EXCELLENCE 90 Soft Brake sliding door gear (Double Soft Brake Version)

④

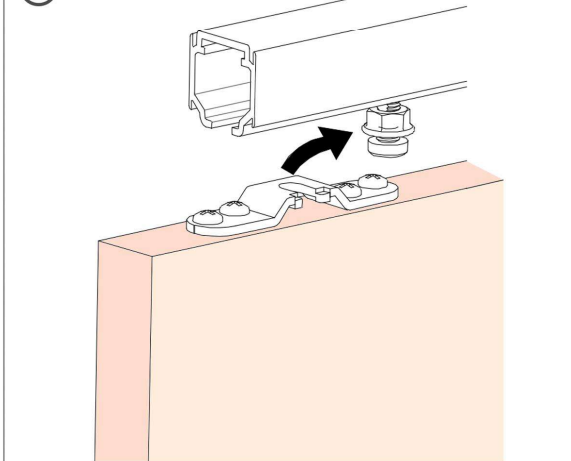
Ensure Soft brake pick-ups are primed or pre-loaded into the correct position



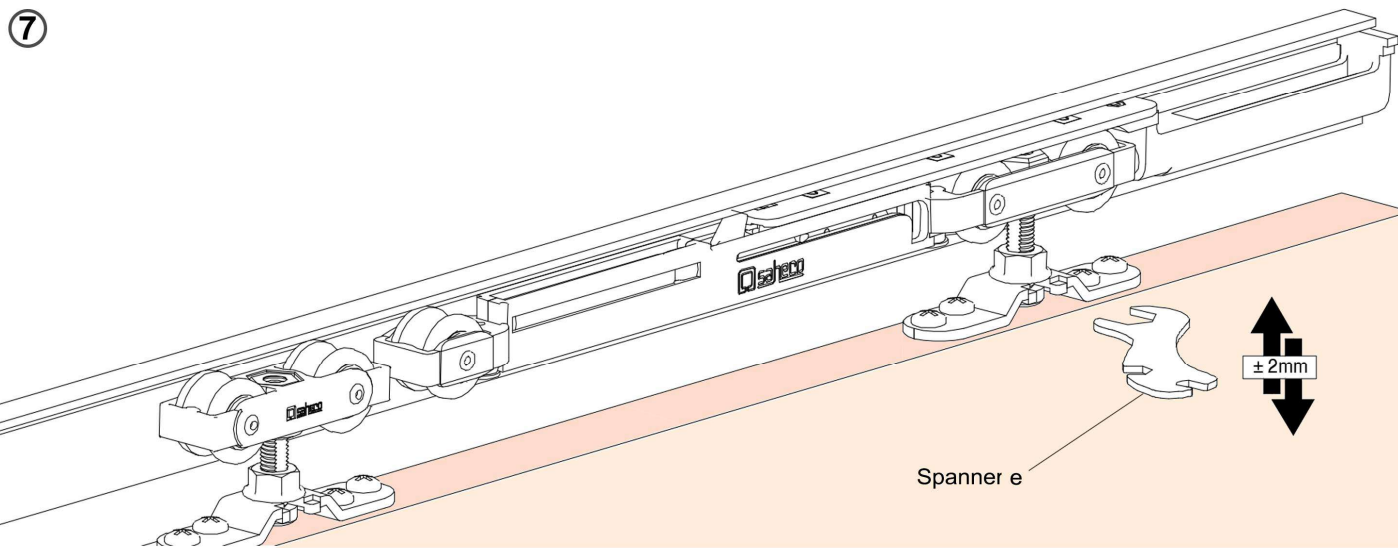
⑤



⑥



⑦



⑧

