

GEZE Rollan 40N / Rollan 80

Rollan is quiet roller-guided sliding door system for the simple integration of interior sliding door concepts. Its wall and ceiling mounting makes a various use possible, e.g. for sliding doors, room partitioners and cloakrooms.

Product features

- ▶ Due to the construction height of only 29 mm even mounting at limited space is possible
- ▶ Plane installation surface reduce the noise within opening and closing
- ▶ Uniform guide rail for Rollan 40N and 80 – also independent of the leaf material – actually makes possible simple adjustment changing use conditions
- ▶ Classical design – without disturbing edges – can also be implemented without cover
- ▶ Certified according to DIN EN 1527:1998
- ▶ Leaf weight up to 40 kg (Rollan 40N)
Leaf weight up to 80 kg (Rollan 80)
- ▶ High fatigue failure capability. After 50.000 operation cycles the necessary sliding force is < 20 N (Rollan 40N) resp. < 25 N (Rollan 80)
- ▶ Closed aluminium running track tube protects from dust and dirt
- ▶ Direct mounting on the ceiling or installation with angles at the ceiling and the wall
- ▶ Gap adjustment between door leaf and track can be done from the front, subsequent and simple adjustment of already mounted systems is possible

Application range

- ▶ For wooden, metal and plastic doors up to 40 kg resp. 80 kg leaf weight, for glass doors a glass rail clip is available
- ▶ For all single and multi-leaf sliding doors
- ▶ Due to its low running noise it is especially suited for doors in living and office rooms

Standard version / package

Running track with mounting angle
2 roller carriages with hanger bolts,
2 carrier plates, 1 floor guide and 2 in-rail buffers
(Rollan 80 with additional door stop)

Special version

Alternatively the running track (length 6 m or cut-to-size) and the accessories may be ordered separately.

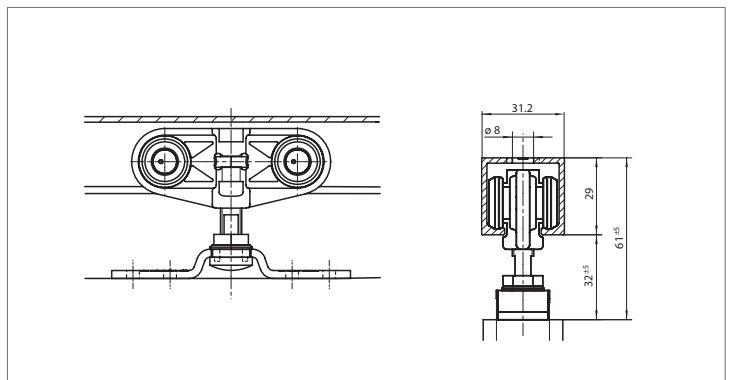


Fig. 05-1

Categorization according to DIN EN 1527:1998 (see page 4)

Rollan 40N								
-	5	1	0	-	1	-	1	3

Rollan 80								
-	5	2	0	-	1	-	1	3

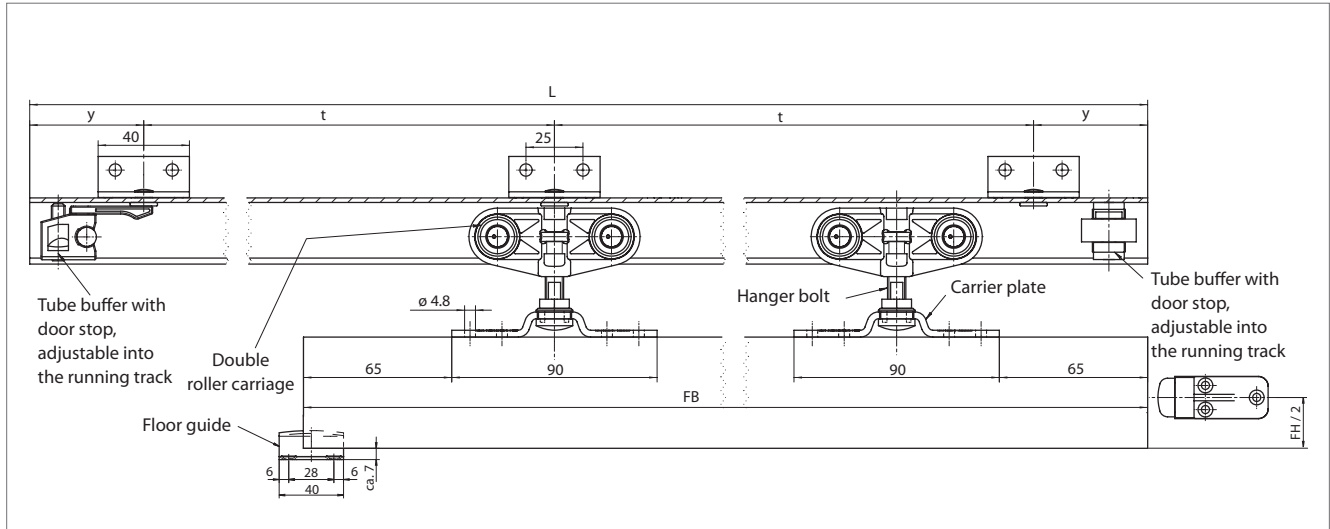


Fig. 06-1

Standard installation

Example how the GEZE Rollan 40N/80 is installed to carry a single-leaf sliding door, see Fig. 06-1

The hardware can be mounted directly at ceilings or with an angle respectively a plate it may be fixed at the ceiling and the wall, see Fig. 06-2

Installation drawing

Drawing-No. 10417-ep03

Note:

Removable panels must be installed to permit access to wall recesses. In addition – to the tube buffer – the door leaf has to be stopped with an additional angle buffer. The buffer has to be installed at centre of door height!

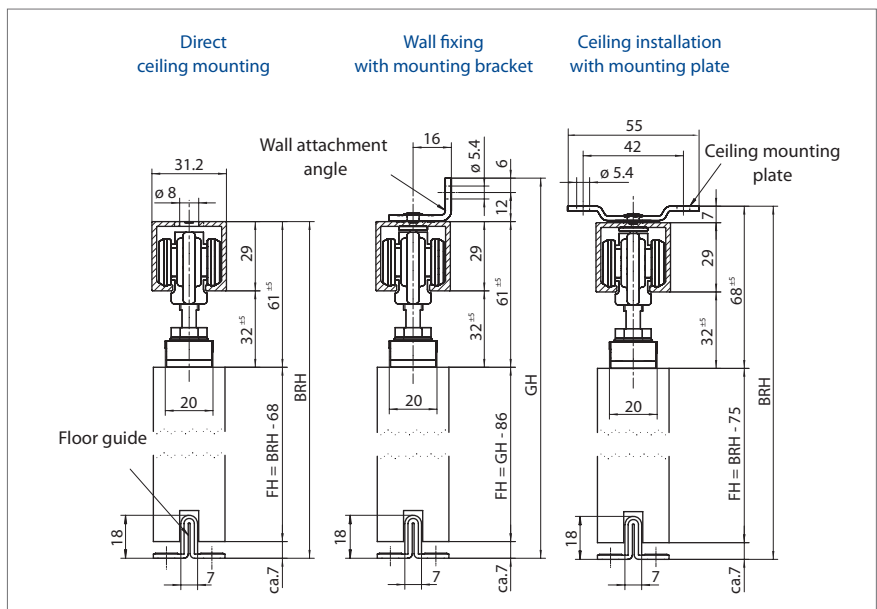


Fig. 06-2

Standard dimensions (mm)				
FB	L	t	x	y
510 - 700	1150	350	4	50
710 - 900	1650	450	4	150
810 - 1000	1800	400	5	100
910 - 1100	1900	450	5	50
1110 - 1300	2350	450	6	50
1310 - 1500	2800	450	7	50
1510 - 1700	3250	450	8	50
LL	6100	350	18	50

Legend

- FB = leaf width (mm)
- L = length of running track (mm)
- t = hole distance (mm)
- x = number of wall respectively ceiling attachment brackets
- y = gap (mm) end of running track to centre of drilling of the attachment angle
- LL = stock length (mm)
- FH = leaf height (mm)
- BRH = building arranging height (mm)
- GH = total height (mm)

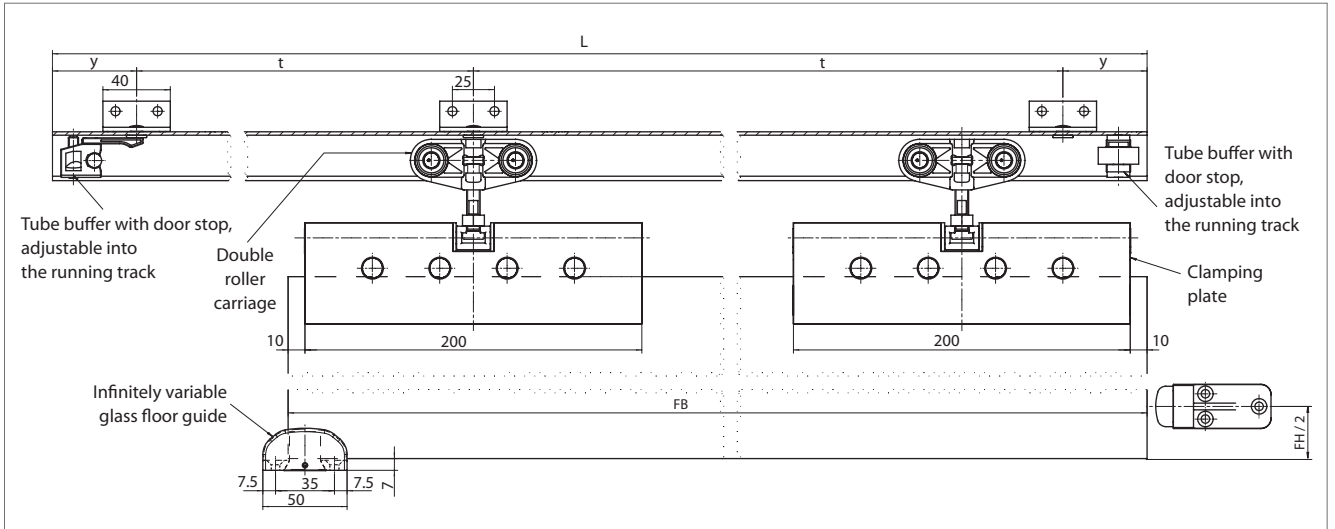


Fig. 07-1

Standard installation on glass leaves

Example how the GEZE Rollan 40N/80 is installed at a single-leaf sliding door with leaves made of glass by using a glass clamping plate, see Fig. 07-1

The hardware can be mounted directly at ceilings or with an angle respectively a plate it may be fixed at the ceiling and the wall, see Fig. 07-2

Installation drawing

Drawing-No. 10417-ep04

Note:

Removable panels must be installed to permit access to wall recesses. In addition – to the tube buffer – the door leaf has to be stopped with an additional angle buffer. The buffer has to be installed at centre of door height!

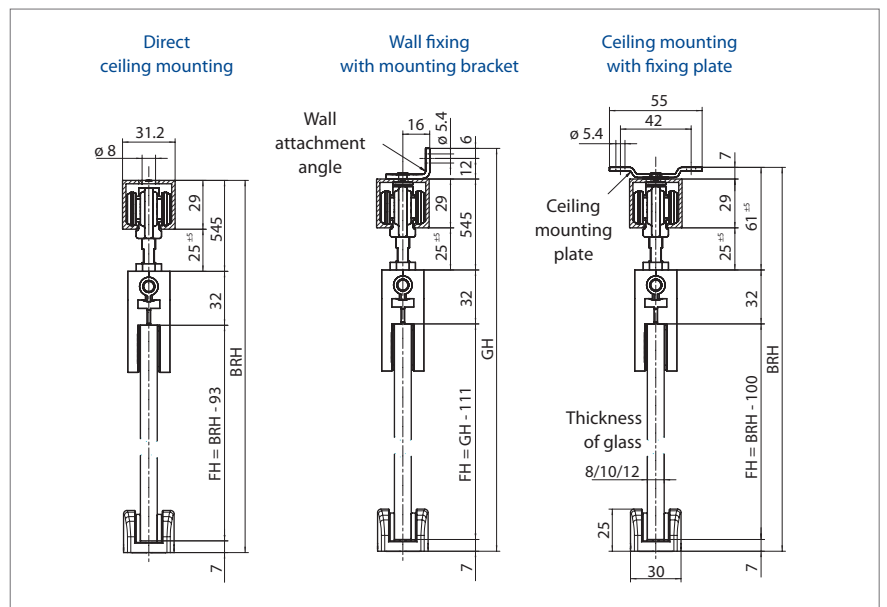


Fig. 07-2

Glass floor guide, infinitely adjustable

Product features

- ▶ For glass thickness from 8 to 12 mm the floor guide can be easily however point-exactly infinitely adjusted.

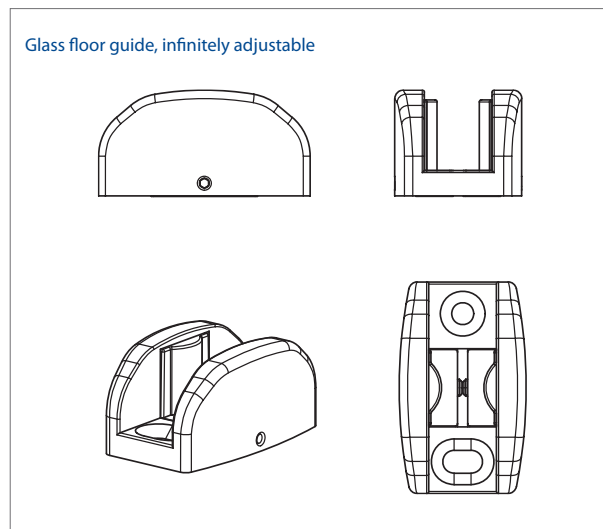


Fig. 07-3

GEZE Roller-guided Sliding Door Gears

GEZE Rollan – Ordering information

Description	Leaf width (cm)	ID No.
Complete set:		
Sliding door hardware GEZE Rollan 40N complete with accessories (incl. wall attachment bracket)	51 - 70	120162
	71 - 90	120163
	81 - 100	120164
	91 - 110	120165
	111 - 130	120166
	131 - 150	120167
	151 - 170	120168
Sliding door hardware GEZE Rollan 80 complete with accessories (incl. wall attachment bracket)	51 - 70	120169
	71 - 90	120170
	81 - 100	120171
	91 - 110	120172
	111 - 130	120173
	131 - 150	120174
	151 - 170	120175
Single parts:		
Running track Rollan 40N / 80 (length up to 6 m)		120150
Running track cut-to-size		120151
Wall attachment bracket		069990
Ceiling attachment bracket		069991
Accessory set GEZE Rollan 40N without wall attachment bracket	51 - 150	120306
Accessory set GEZE Rollan 40N with wall attachment bracket	51 - 110	120307
	111 - 150	120308
Accessory set GEZE Rollan 80 without wall attachment bracket	51 - 150	120176
Accessory set GEZE Rollan 80 with wall attachment bracket	51 - 110	120177
	111 - 150	120178
Clamping plate light alloy with accessories for glass 8 - 12 mm thick		013620
Coupling piece with suspension bolt		026432
Adjustable glass floor guide		120417
Tube buffer with door stop		120161
Angle buffer		000339
Adjustable hold-open device		069272



GEZE Rollan · Haus der Pflege, Heidenheim



GEZE Rollan · Adjustable hold-open device, individual adjustment to the leaf weight