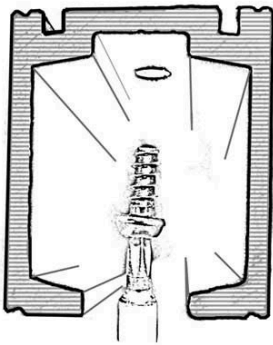
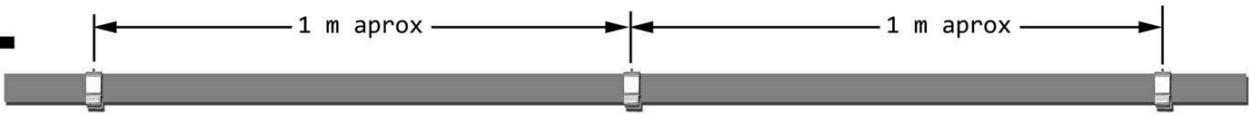
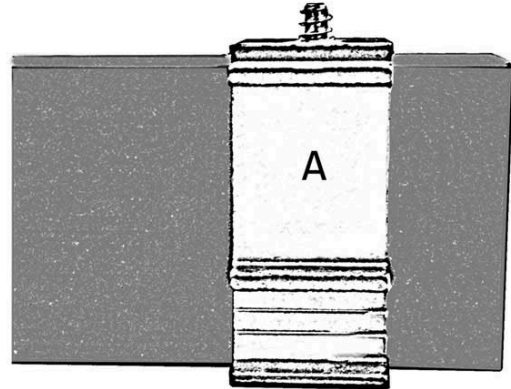


# 1



Section

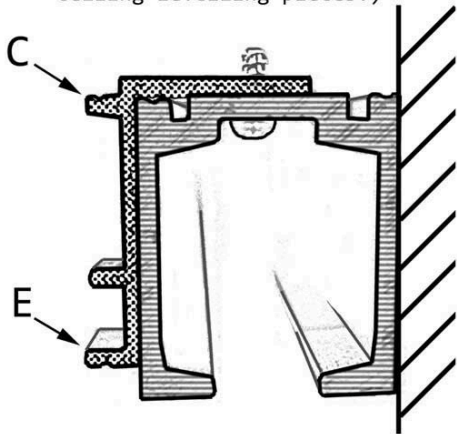
Secure side bracket A with screws through top holes in track at approximately 1 metre intervals. (If using Perlan SoftStop, avoid the area of the SoftStop activation mechanism.)



side elevation

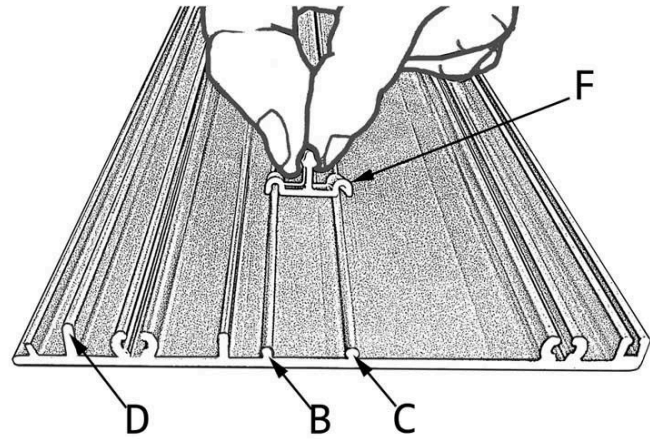
# 2

Secure track to wall or ceiling. (If ceiling mounting then refer to GEZE doc. 139173-00 for instructions on using the ceiling levelling pieces.)



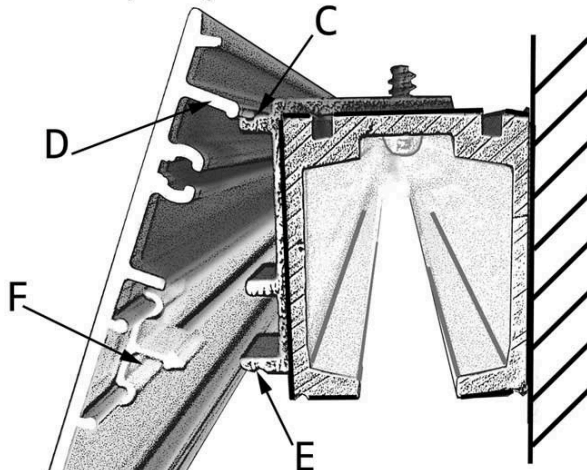
# 3

Line up white plastic clip F with mounting bracket A positions on track. Push clips onto clip cover legs B and C, snapping firmly into position.



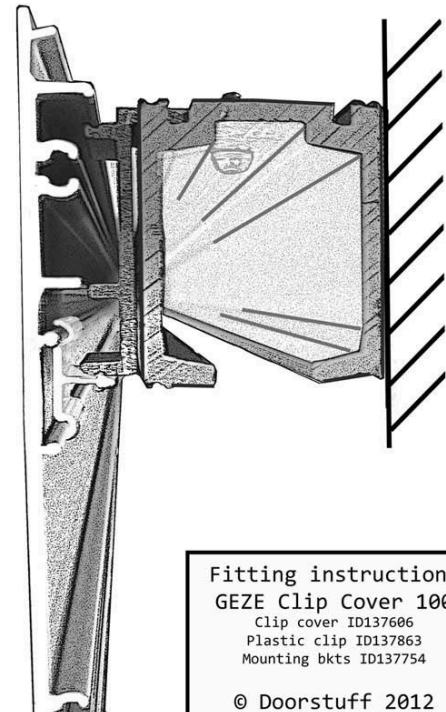
# 4

Position cover leg D over bracket lip C, and repeat all the way along the track.



# 5

Swing cover so white plastic clip F snaps onto mounting bracket lip E, repeat all the way along the track.



Fitting instructions  
GEZE Clip Cover 100  
Clip cover ID137606  
Plastic clip ID137863  
Mounting bkts ID137754

© Doorstuff 2012