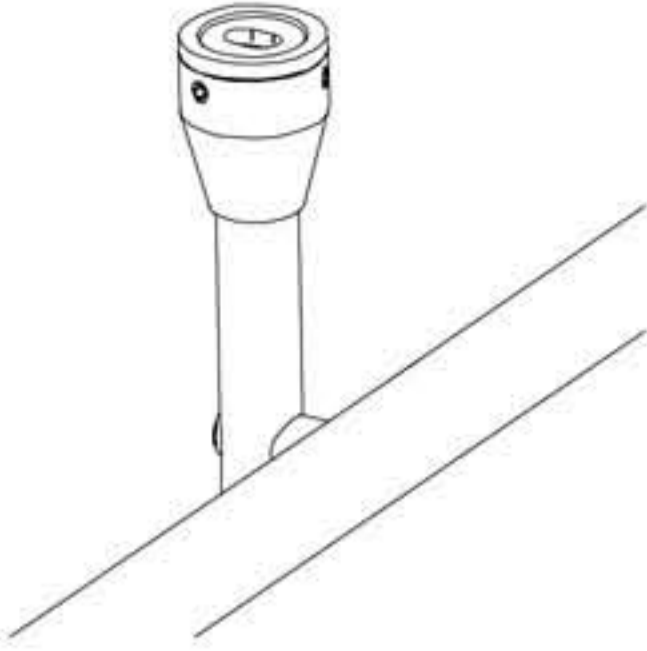


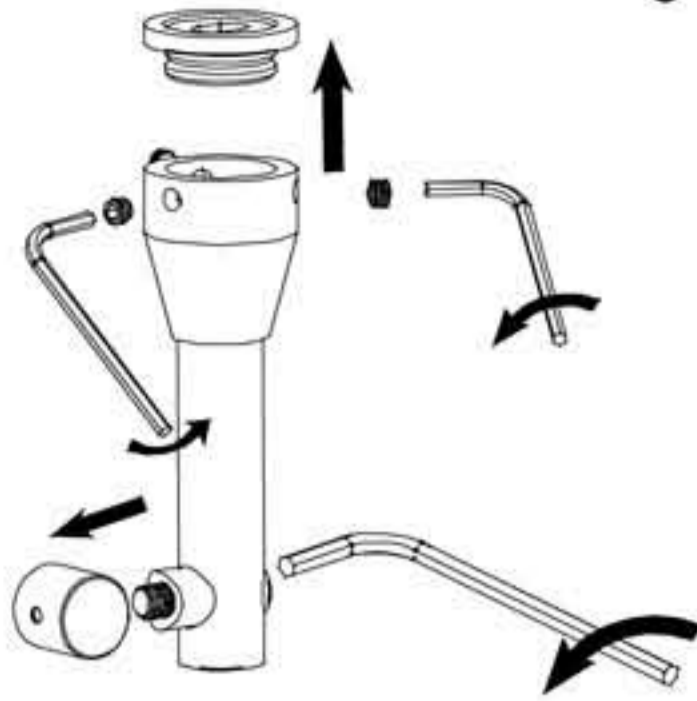
Projeto 150G sliding gear for glass doors

Optional ceiling mounted brackets

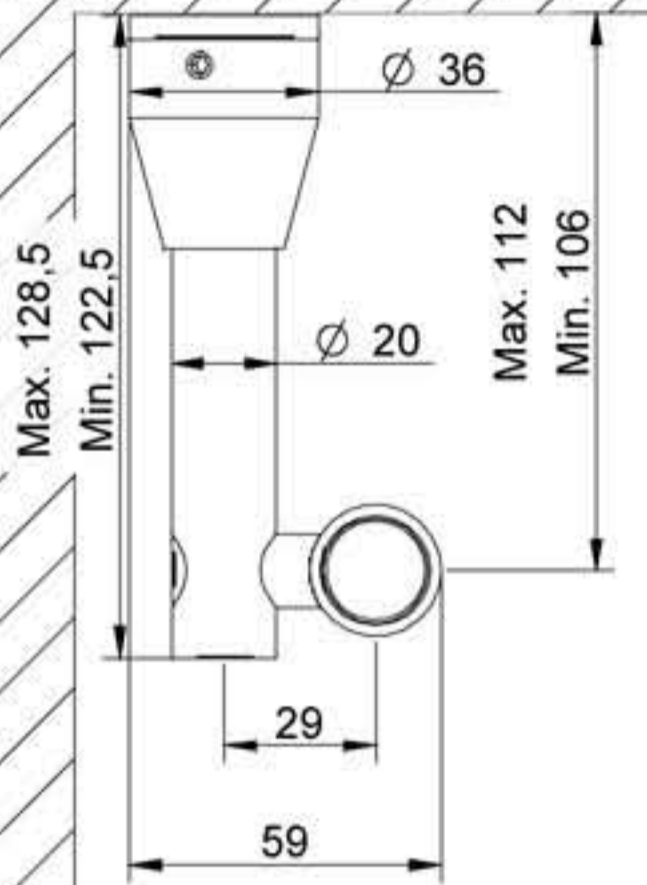
1



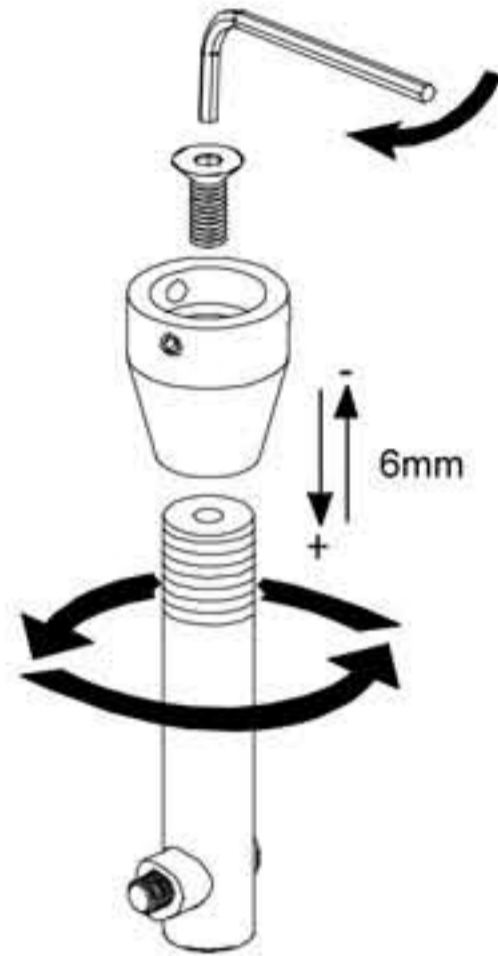
3



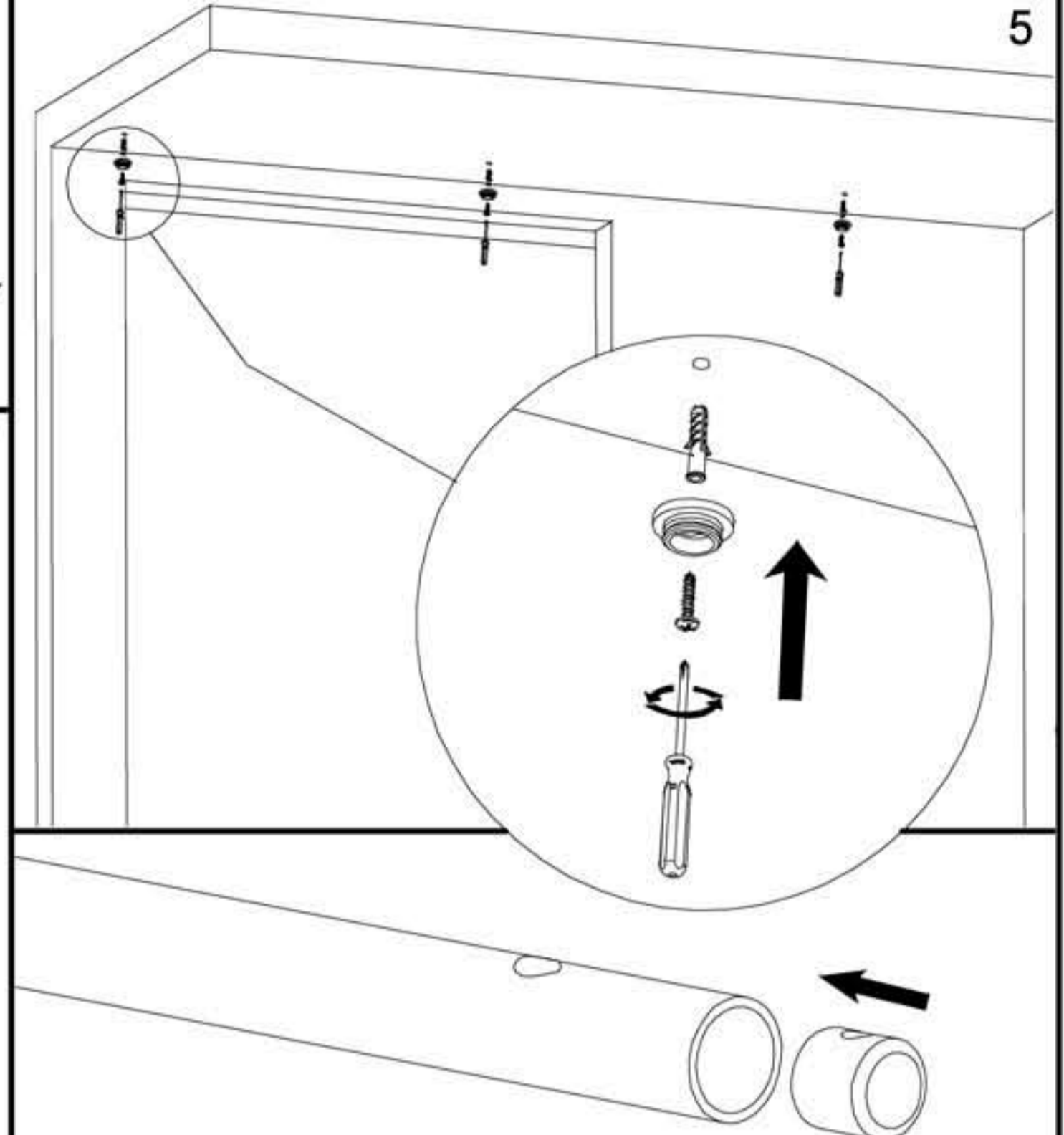
2



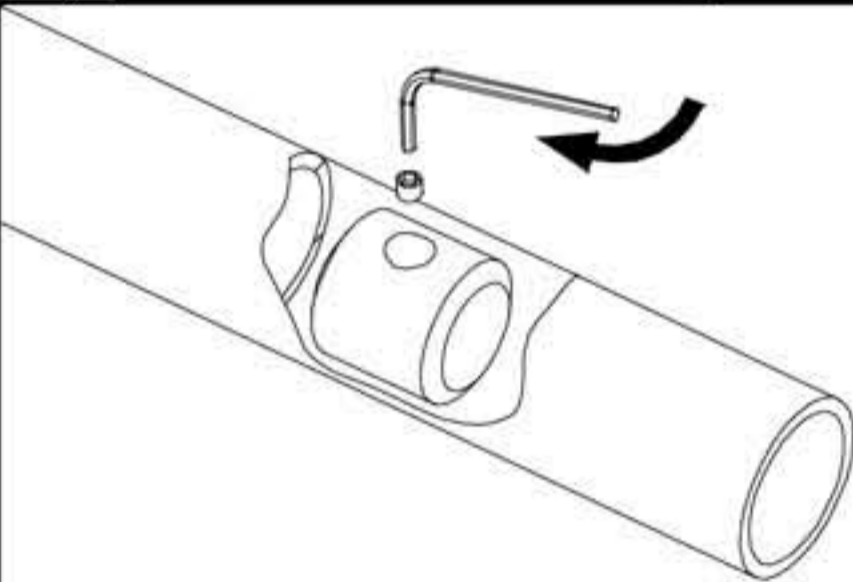
4



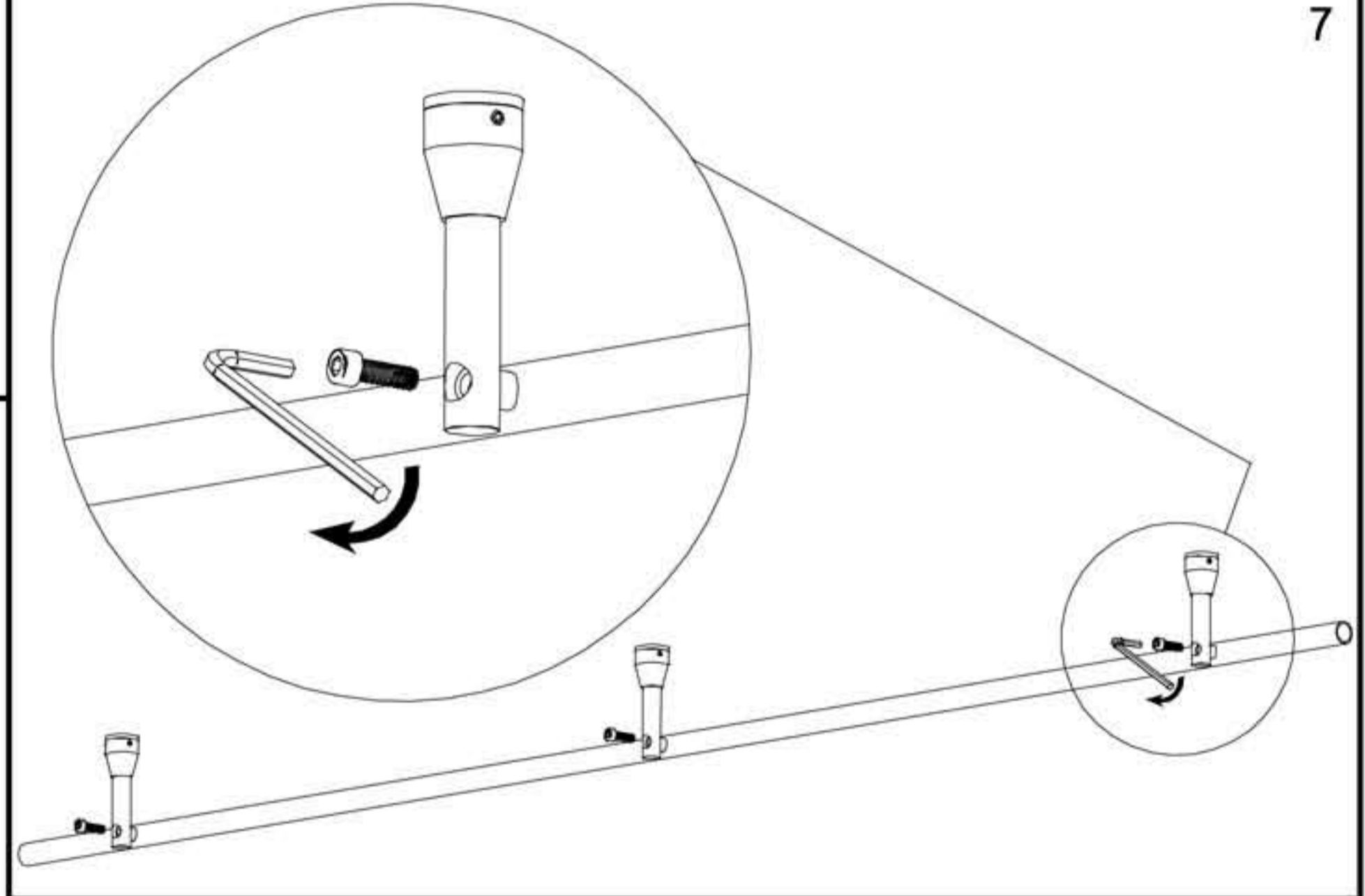
5



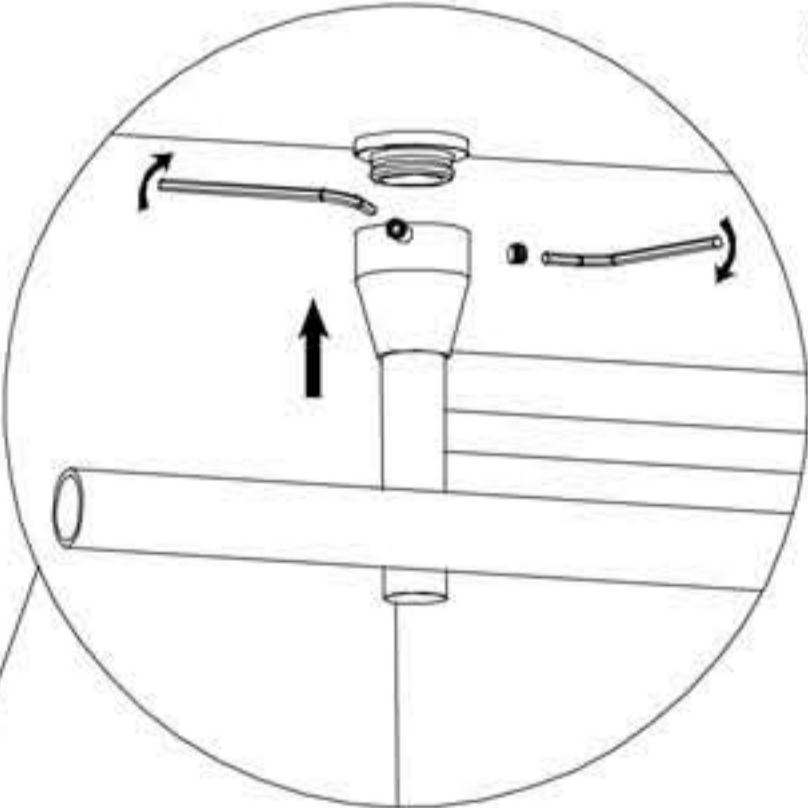
6



7



8



9

