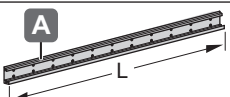


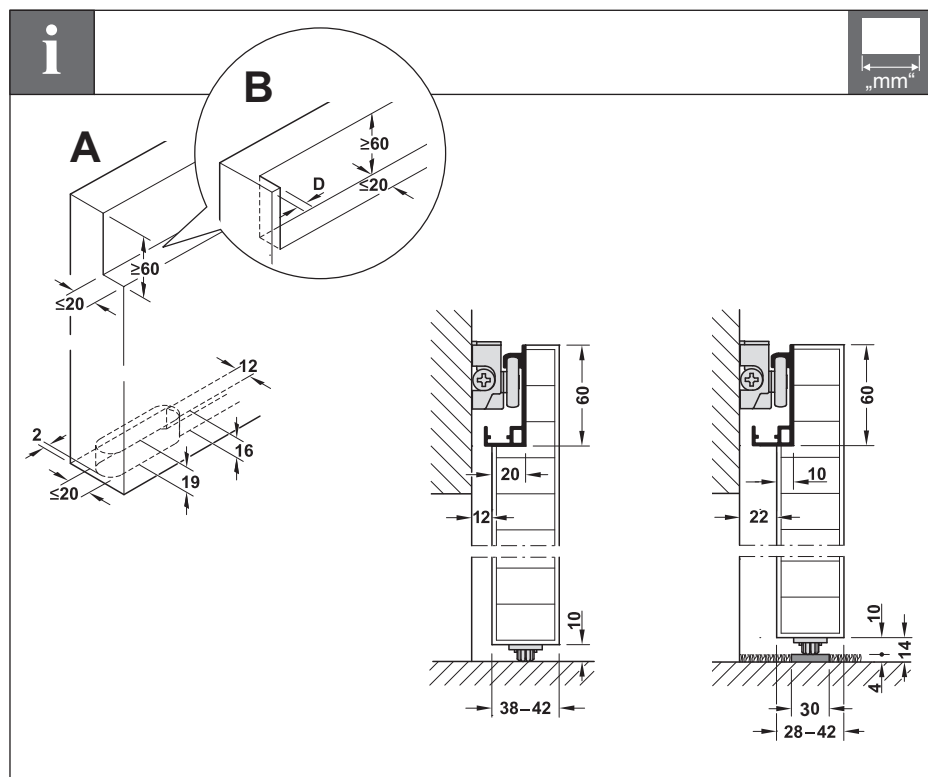


## Slido

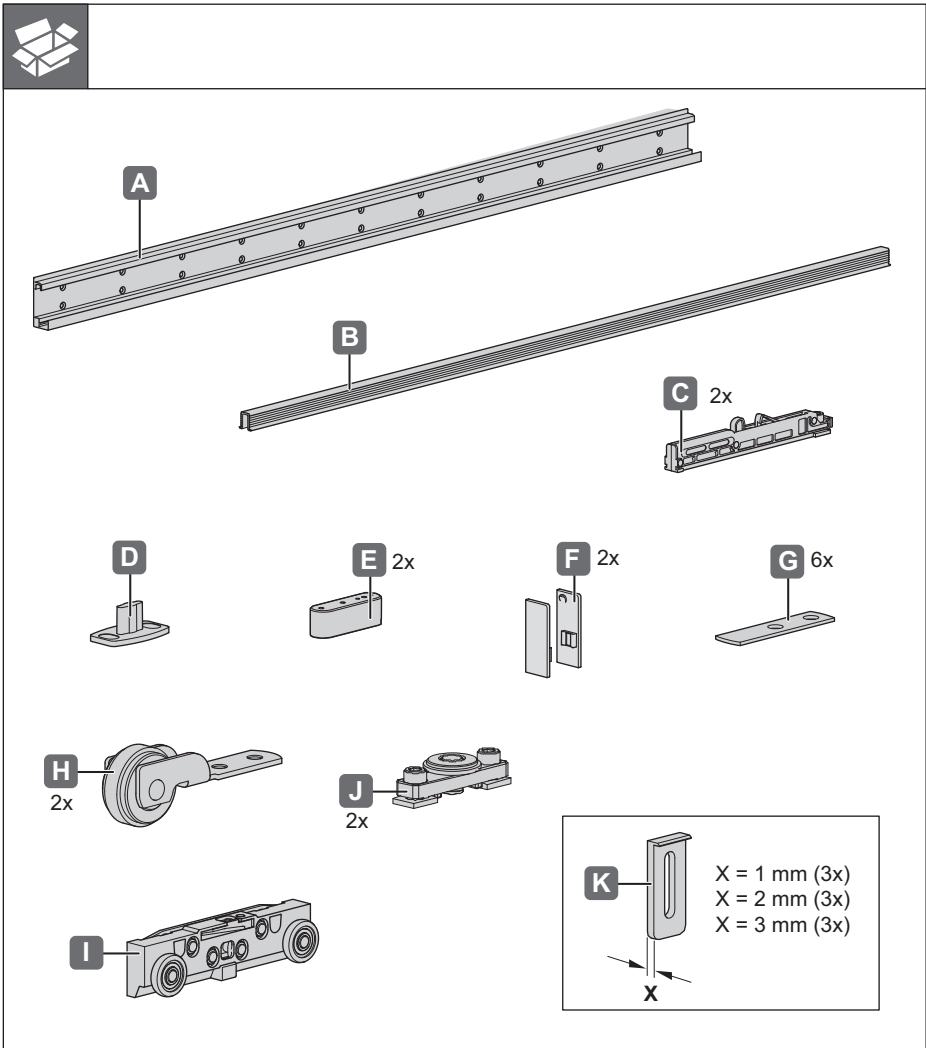
940.59.002  
940.59.003

	Design 80-M	
	L = 1100 mm	940.59.002
	L = 1800 mm	940.59.003

732.29.811



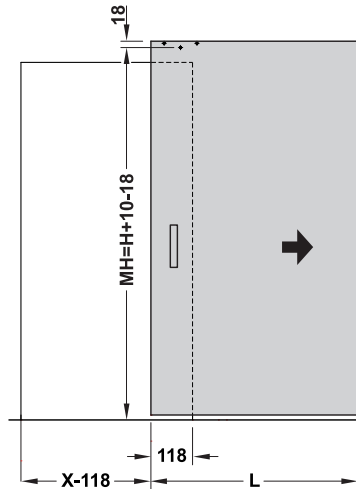
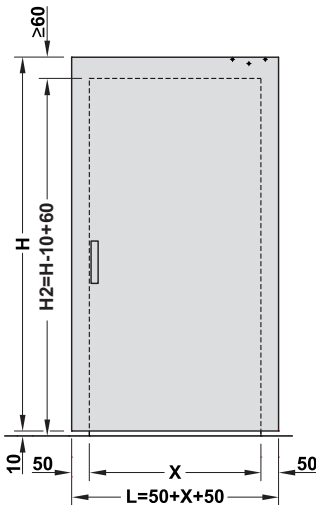
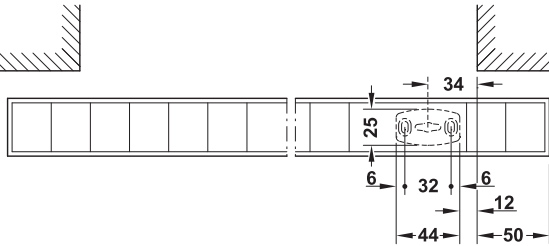
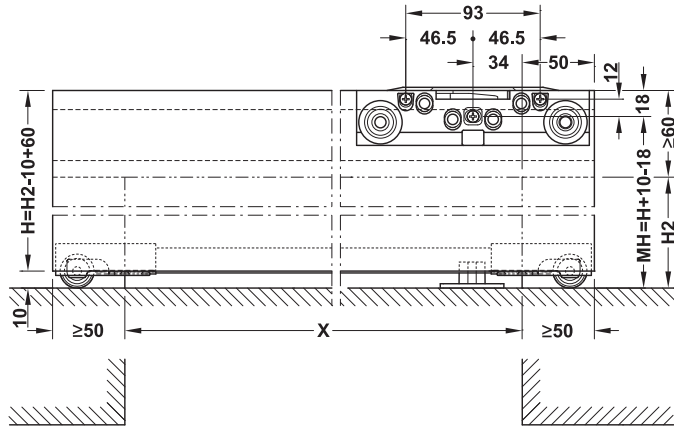
HDE 13.06.2013



732.29.811

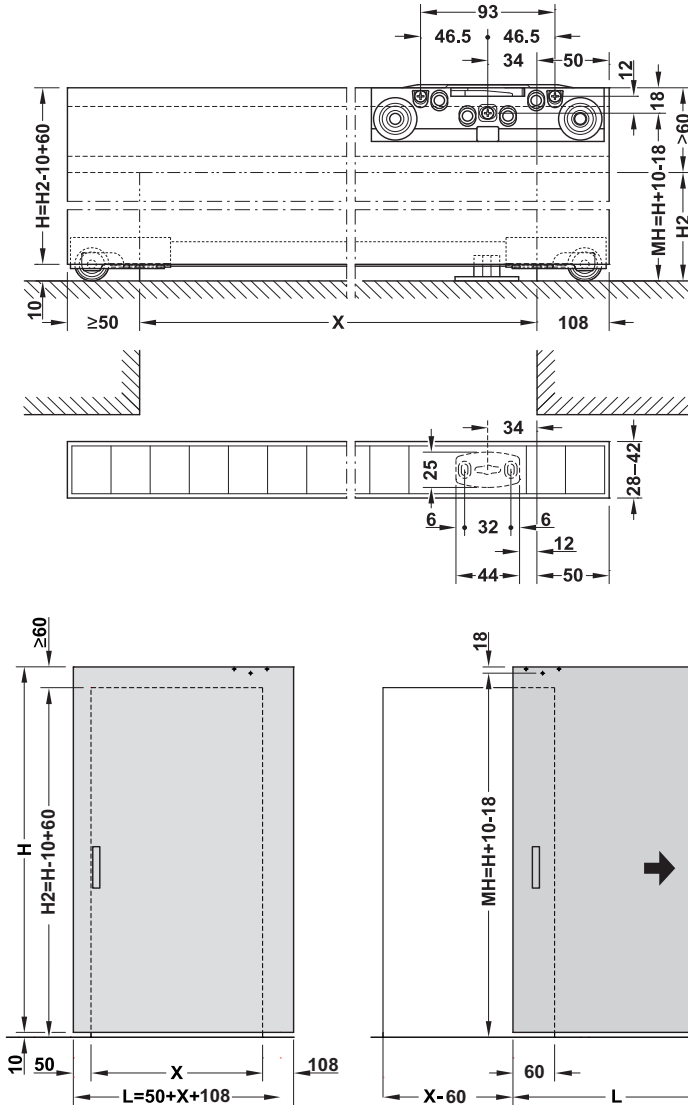
HDE 13.06.2013

i

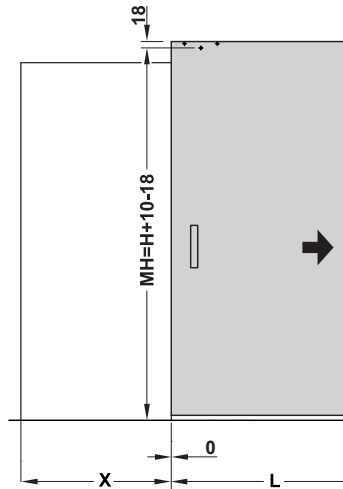
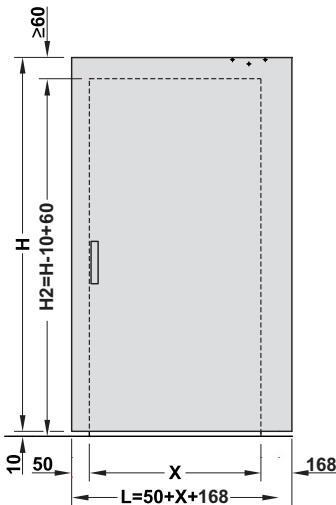
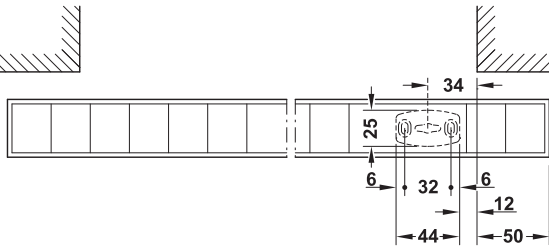
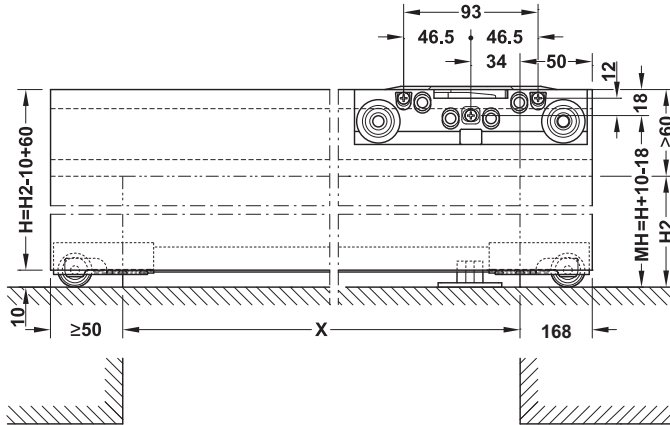


732.29.811

HDE 13.06.2013

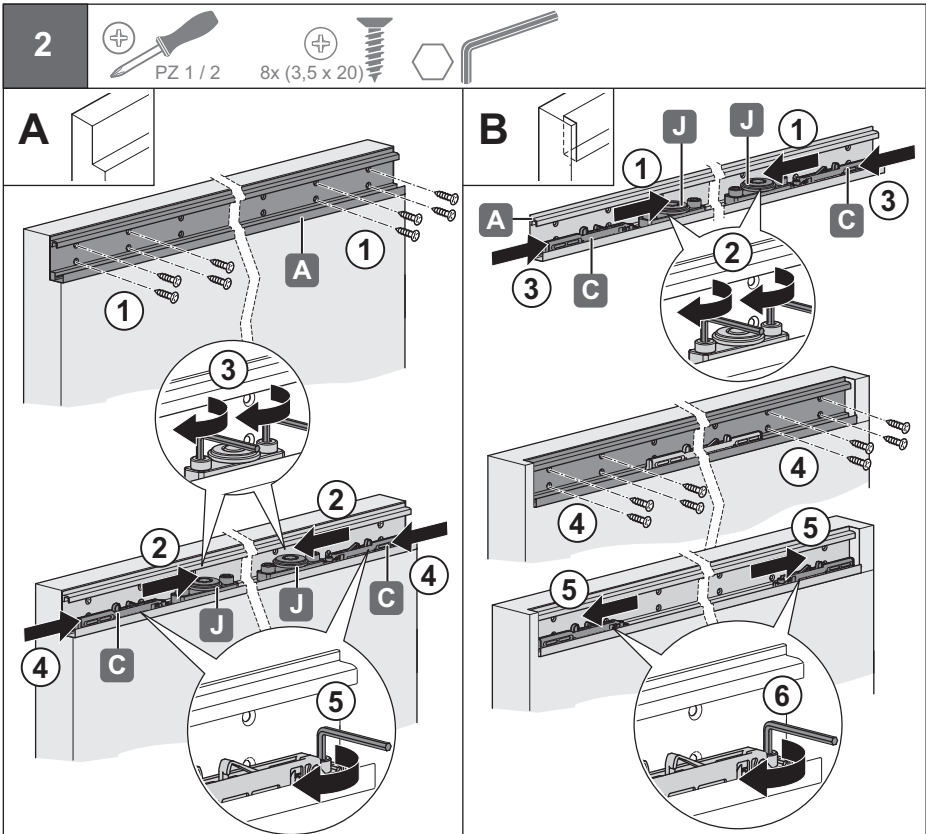
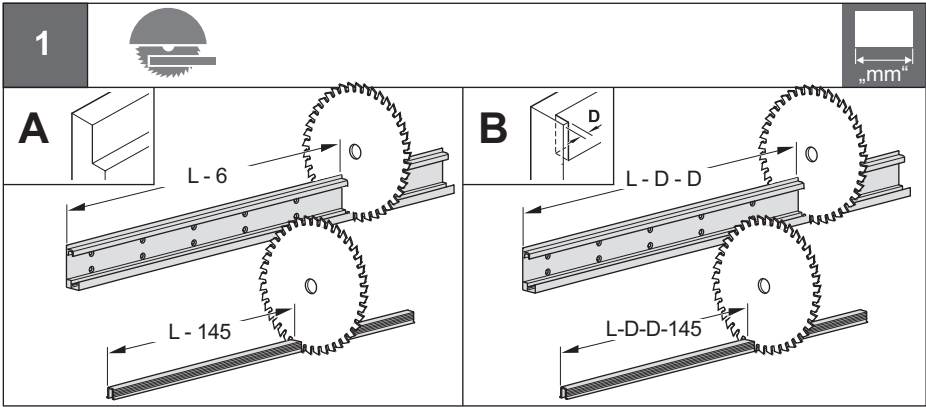


i



732.29.811

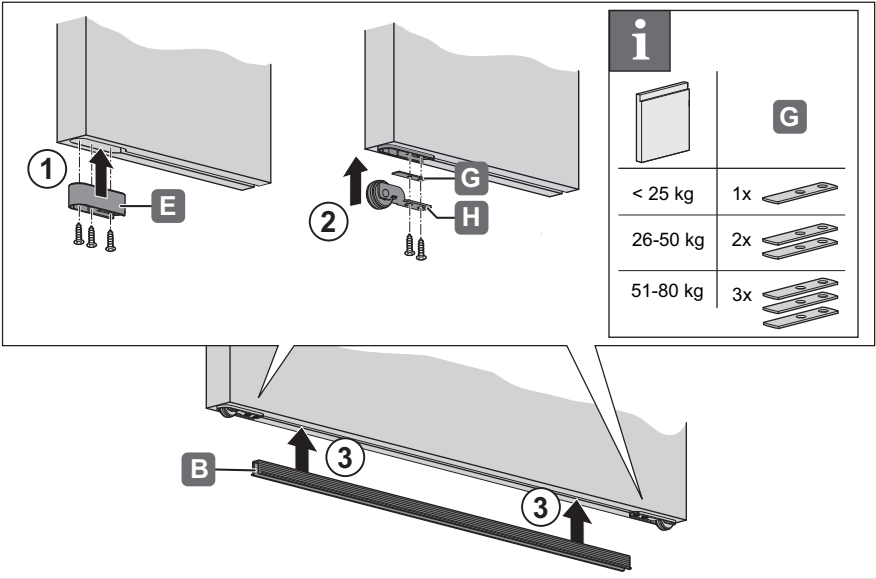
HDE 13.06.2013



732.29.811

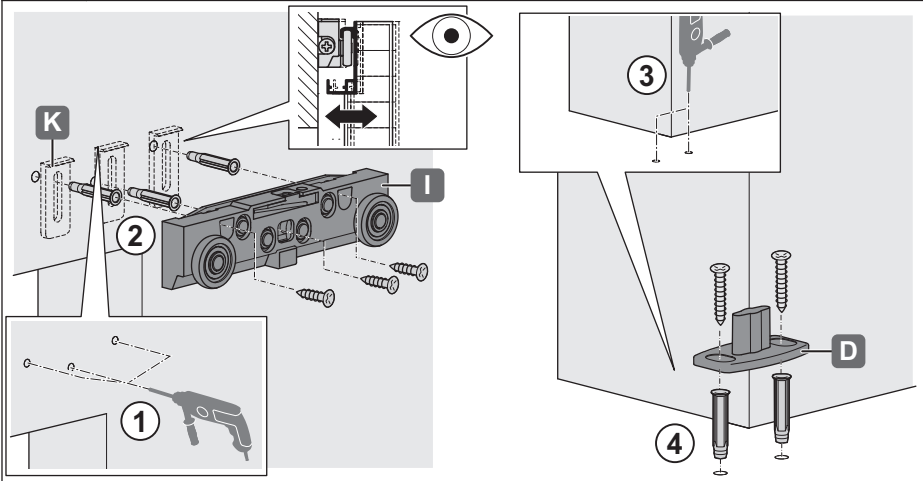
HDE 13.06.2013

3

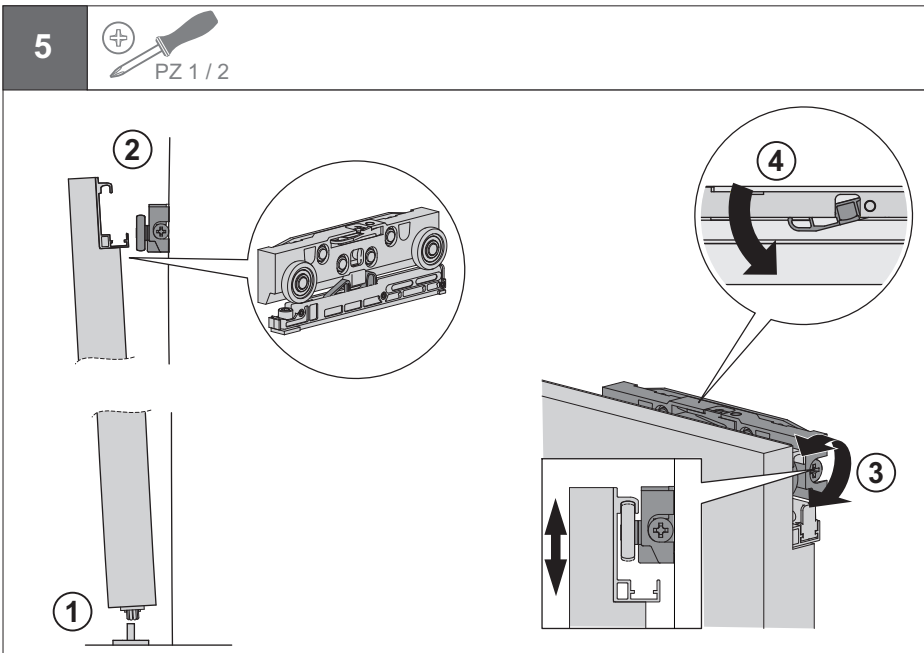


732.29.811

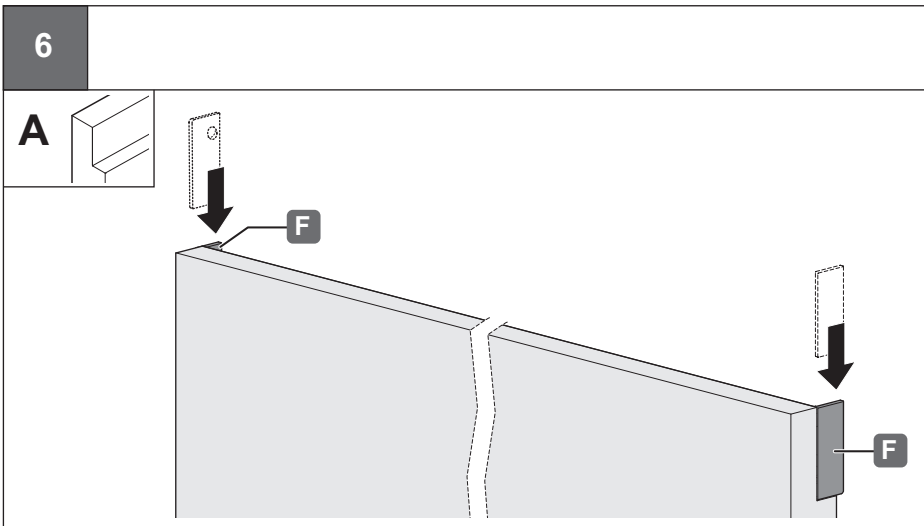
4



HDE 13.06.2013



732.29.811



HDE 13.06.2013