

**SF-30 Furniture & wardrobe sliding door gear**  
suitable for doors up to 30kg



# SF-30

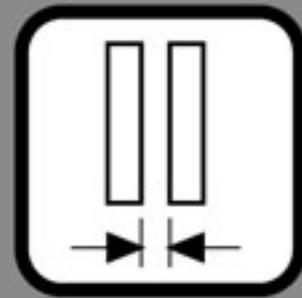
**30Kg**

### SF-30 features

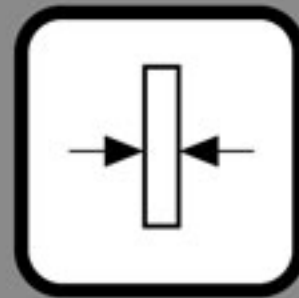
Hanger wheels feature a ball bearing system on the axle for smooth rolling action. Aluminium tracks, pre-drilled and easy to cut down to length. Vertical height adjustment. Suitable for doors between 16mm - 35mm thick, up to 30kg each door. Tracks can be fitted before doors are hung.

- A two door kit comprises:
- 1 x double or 2 x single tracks
  - 4 x roller hangers
  - 4 x L shaped floor guides
  - 2 x door stops
  - 1 x fixing pack

### Technical characteristics



7mm minimum distance between doors



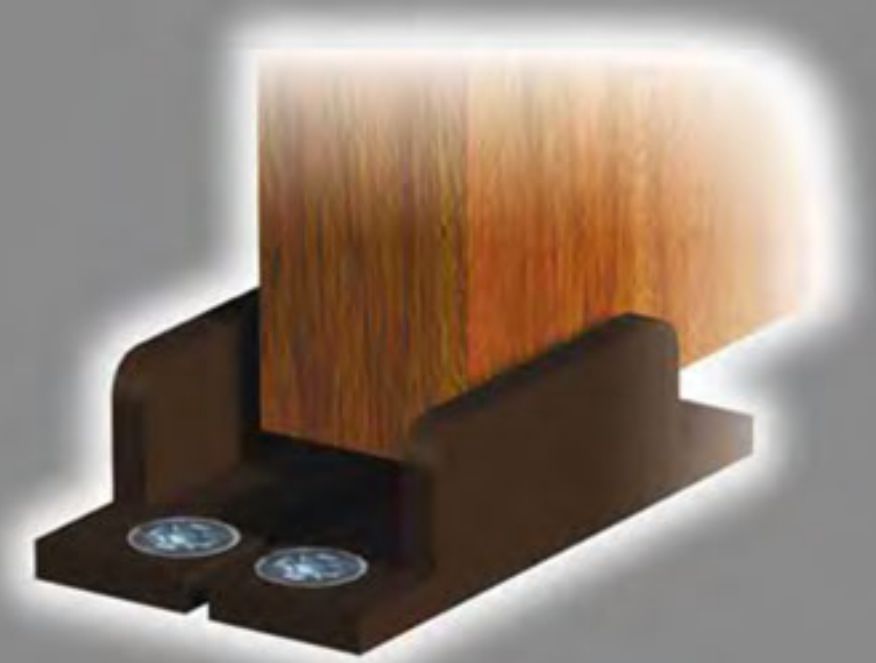
16mm minimum door thickness



single track measures 20mm wide x 26mm deep



double track measures 54mm wide x 27mm deep maximum door thickness when using double track is 35mm



L shaped floor guides

12mm total height adjustment

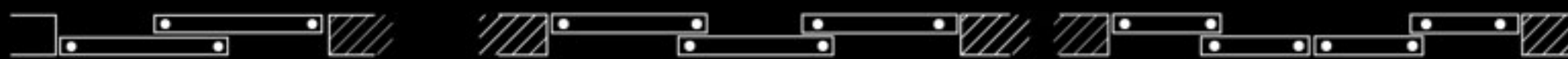


# SF-30

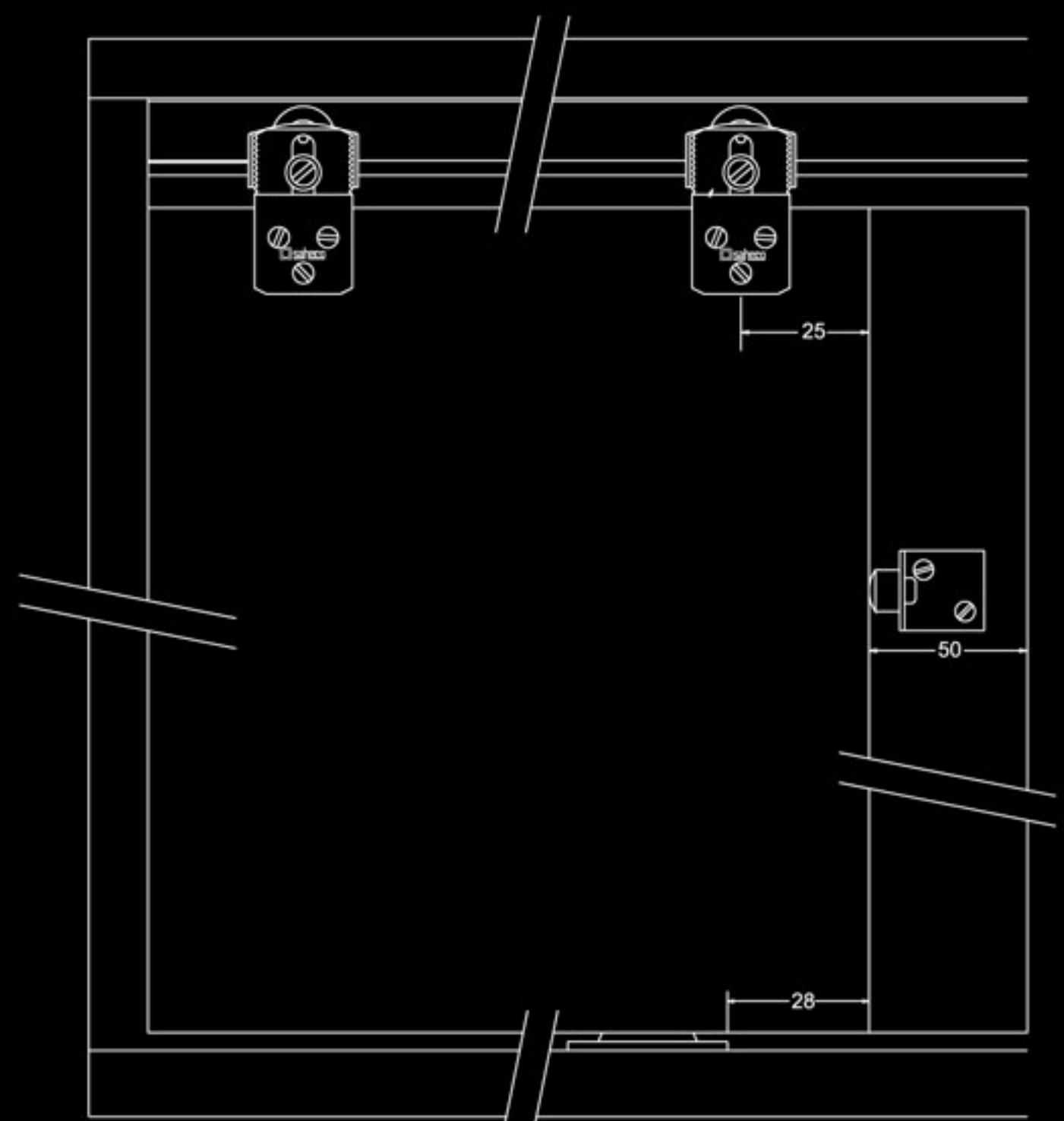
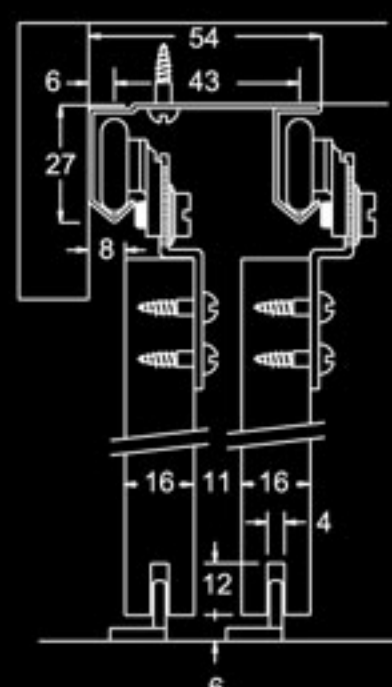
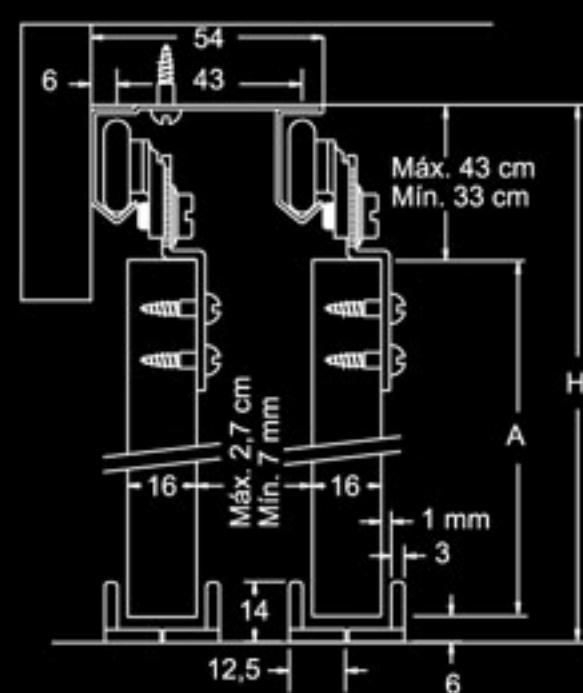
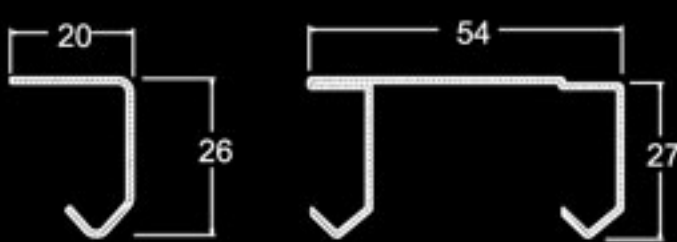


## Installation options

Two door, three door or four door; for more doors add extra door packs



$$A = H - 42$$

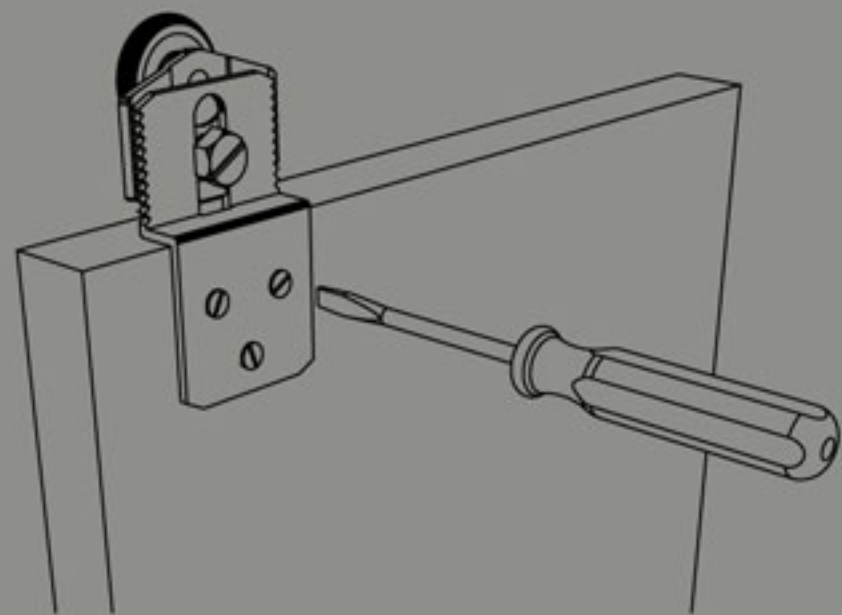


## Standard elevation & cross section

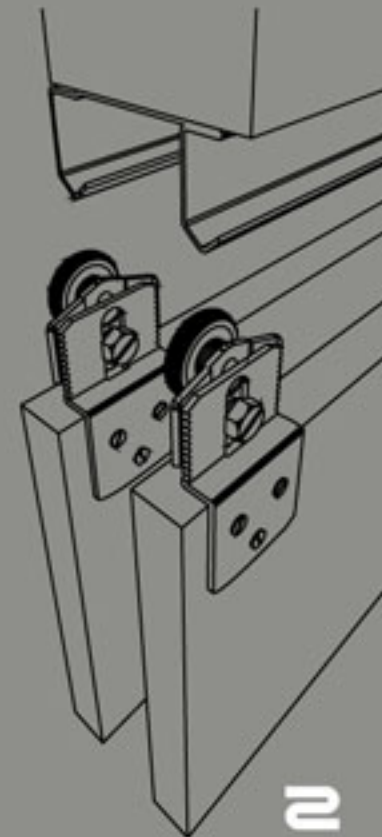
(Dimensions in mm)

**SF-30 For sliding doors of up to 30 kg weight**  
*Illustrated guide to fitting*

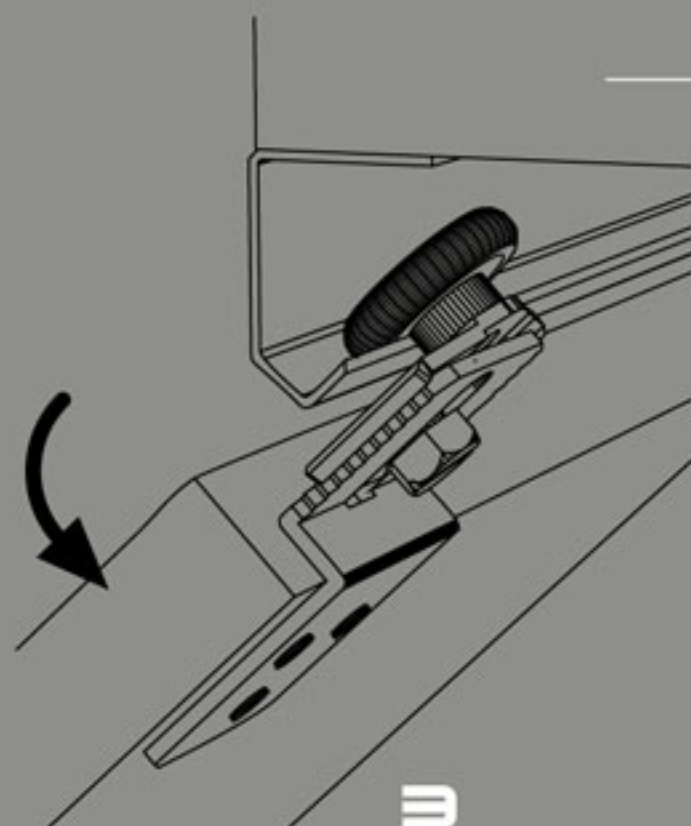
# SF-30



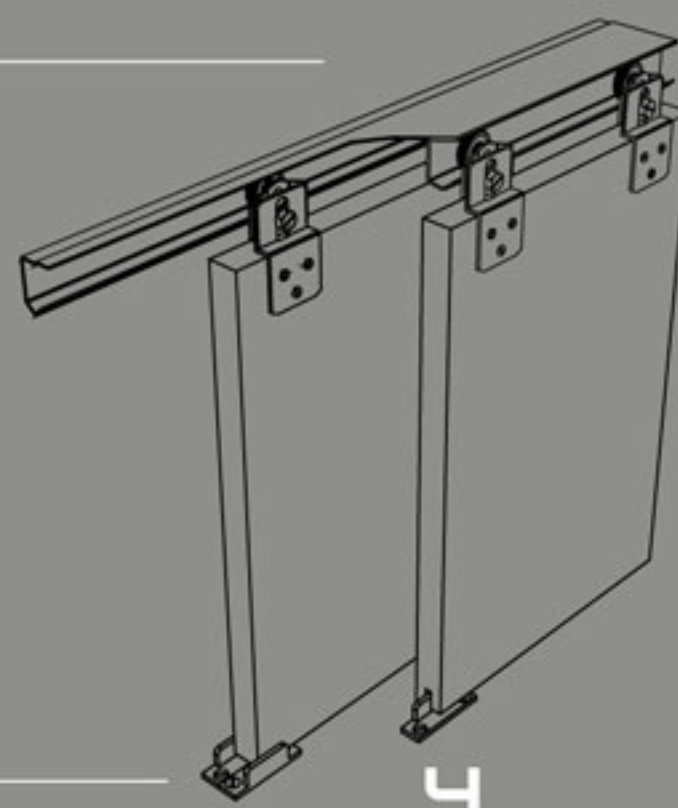
1



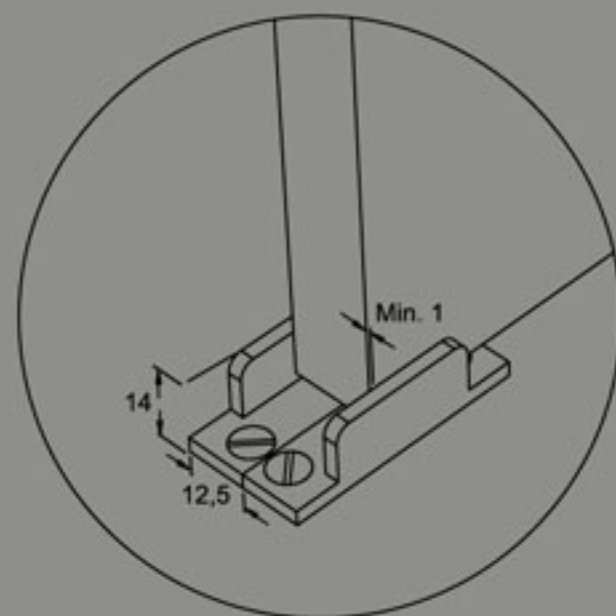
2



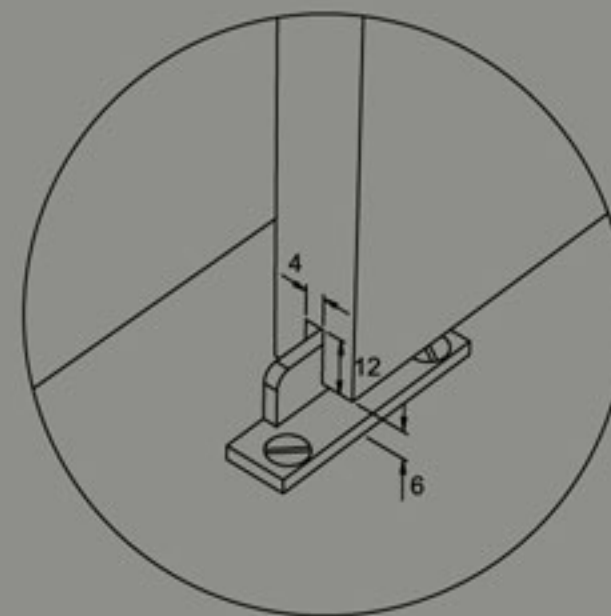
3



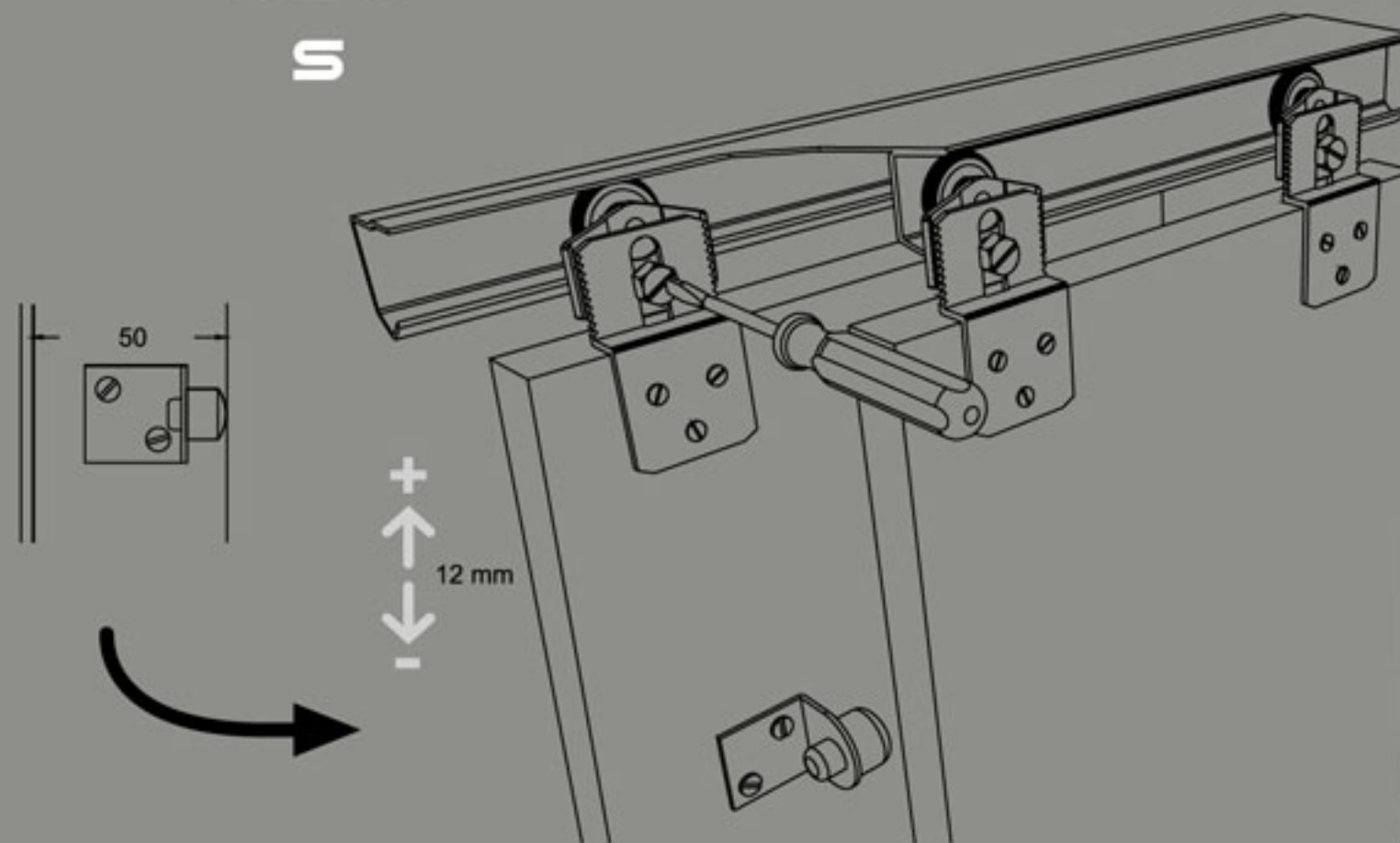
4



5



6



7