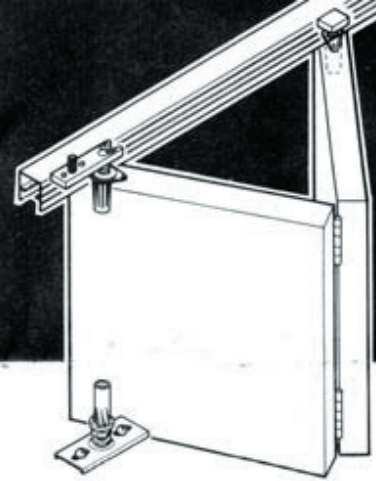
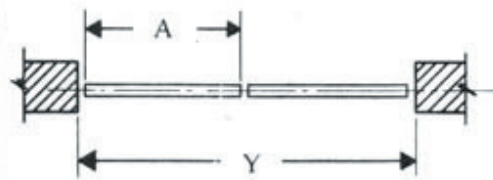
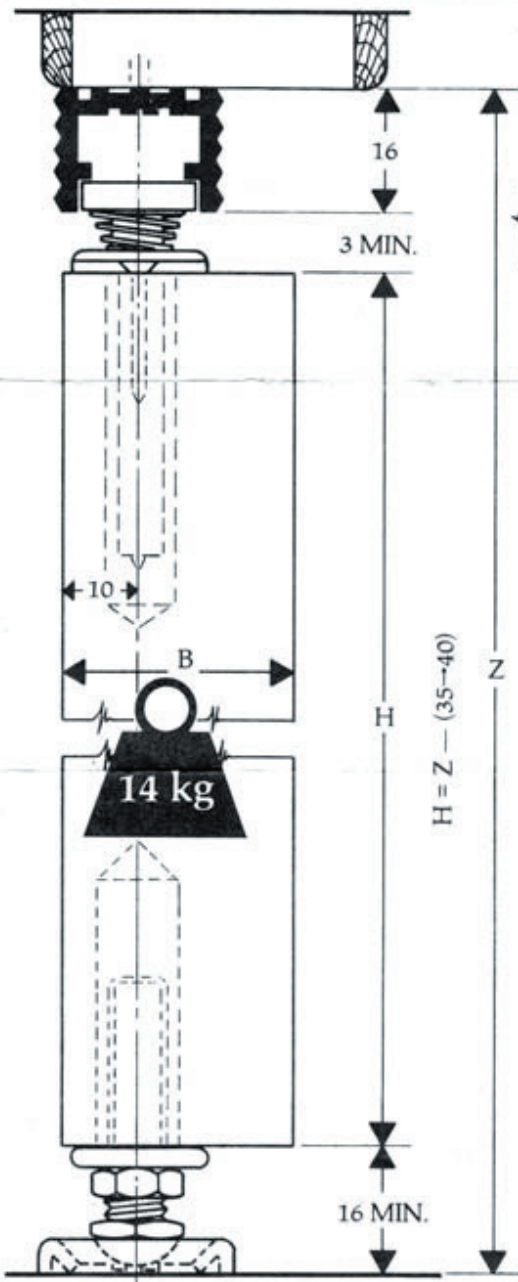


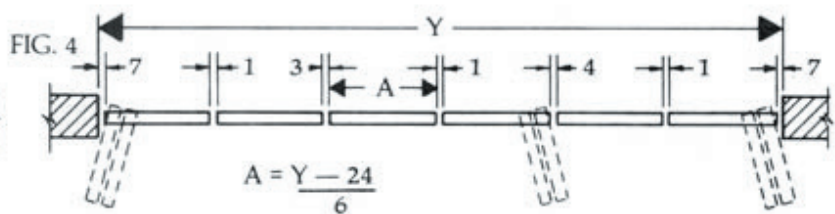
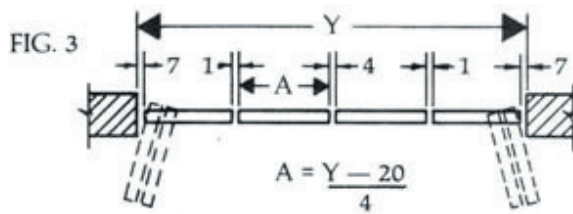
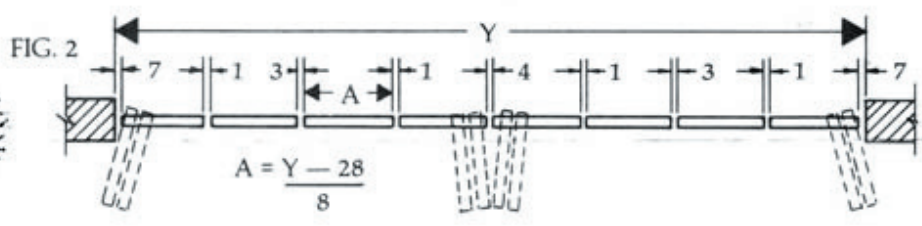
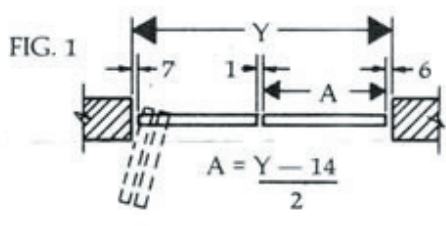
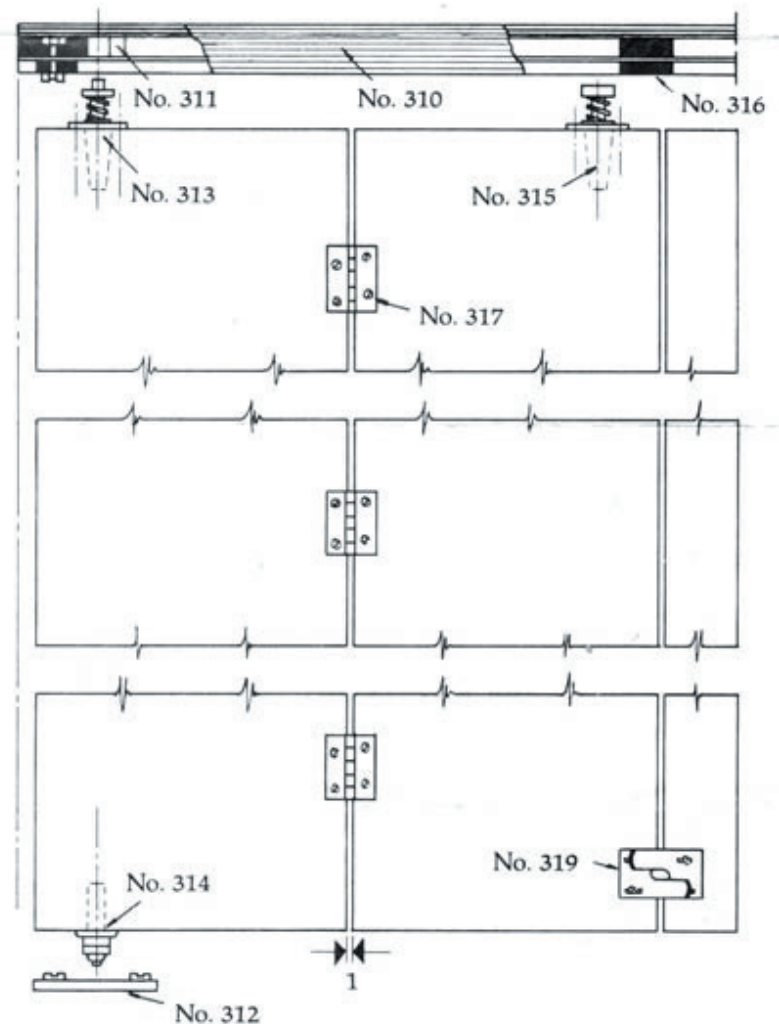
# HENDERSON BIFOLD

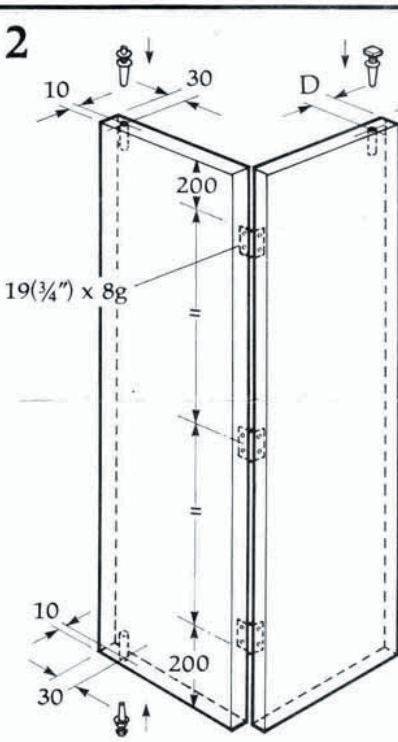
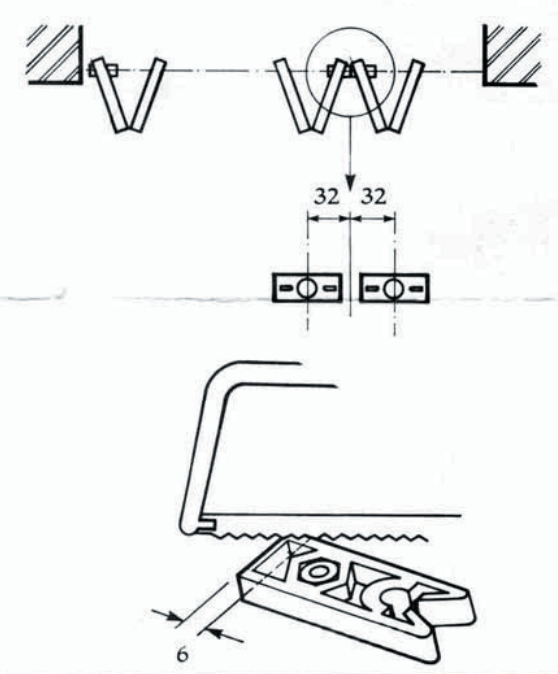
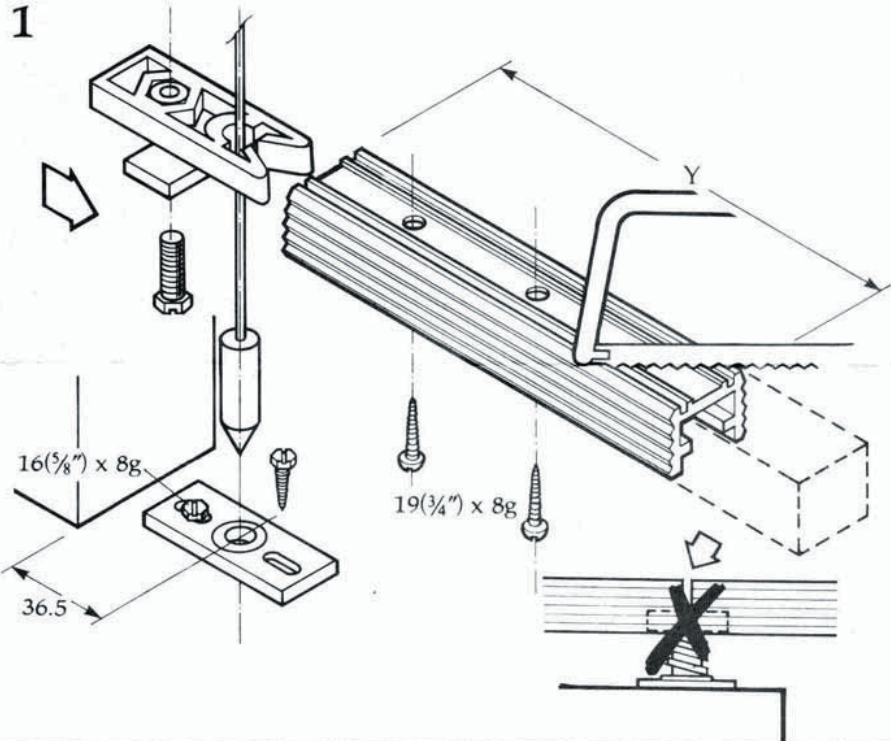


B = 20-35  
A = 530 MAX.



B10/2	Y = 915-1067
B15/4	Y = 1068-1525
B20/4	Y = 1526-2135





B	D
19→24	22
25→35	17

