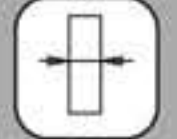


saheco SV-120

Poligono Industrial Foradada - 08580 - Sant Quirze de Besora (Barcelona) Telf. 34-93.852.92.23, Fax. 34-93.852.91.59
Export. Telf. 34-93.852.96.15, Fax. 34-93.852.91.76
e-mail: saheco@saheco.com - web.: www.saheco.com

MADE IN E.U.
GRUPO TORREMAT



10-12mm

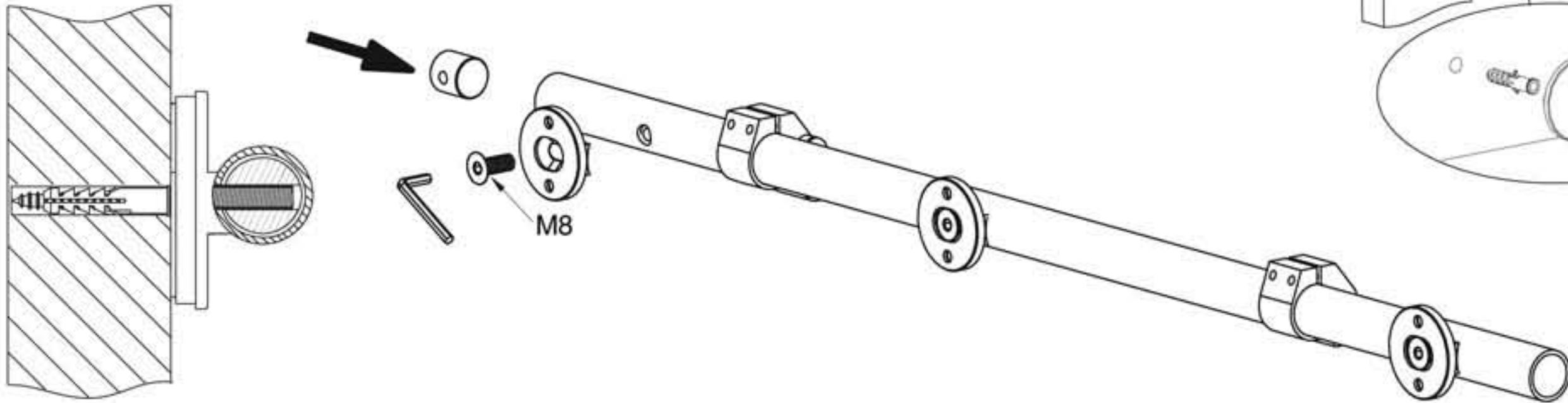


SEP-2012

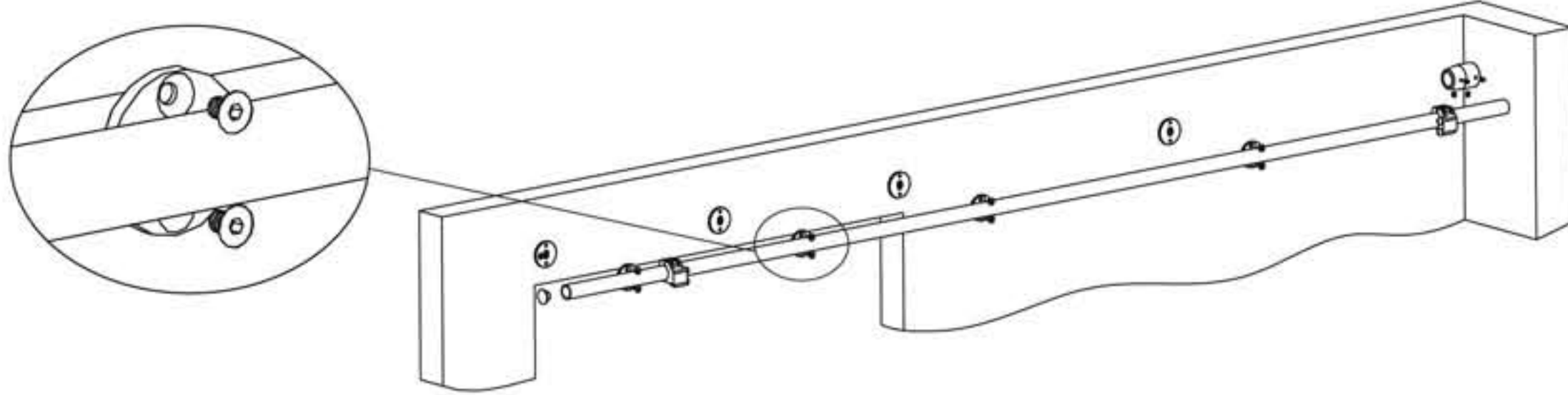
038060104

Projeto 150G sliding gear for glass doors

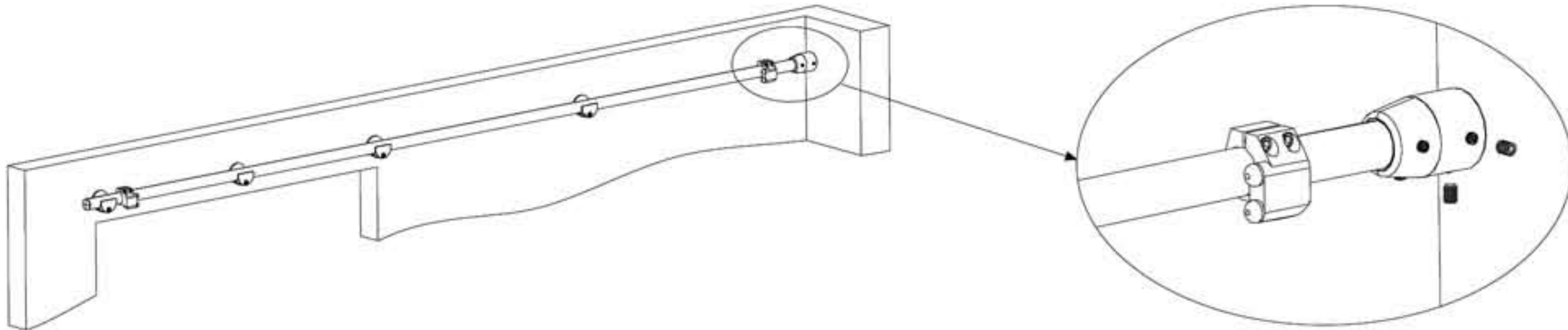
Standard Kit Concealed wall mounted



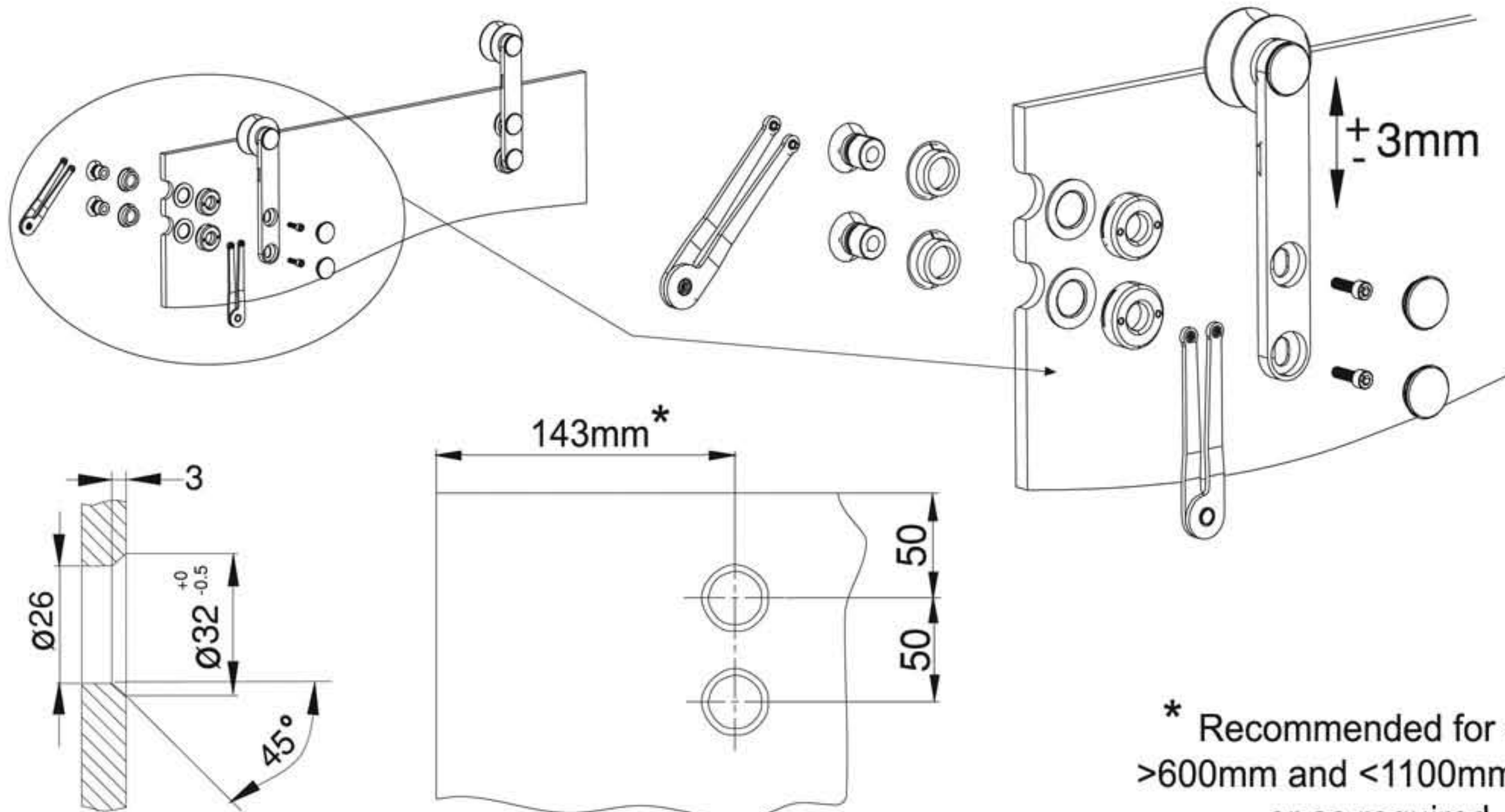
1



2



3

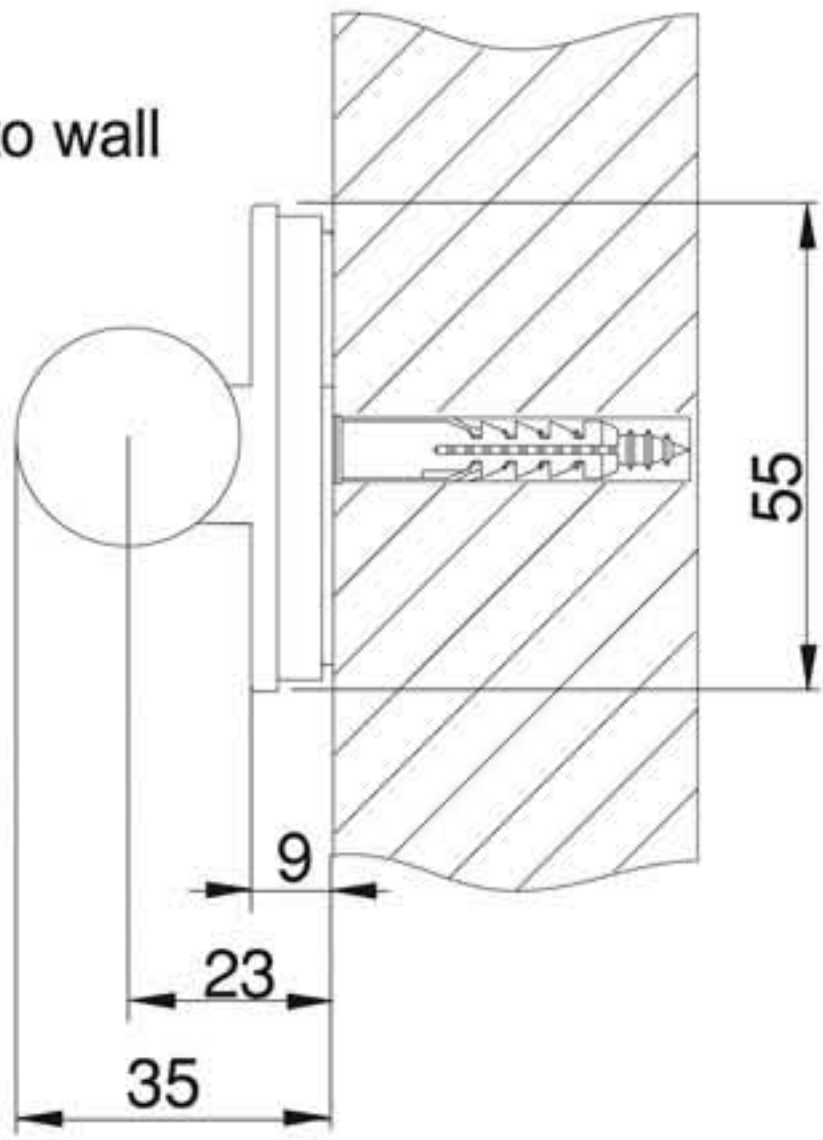


4

* Recommended for doors >600mm and <1100mm wide, or as required

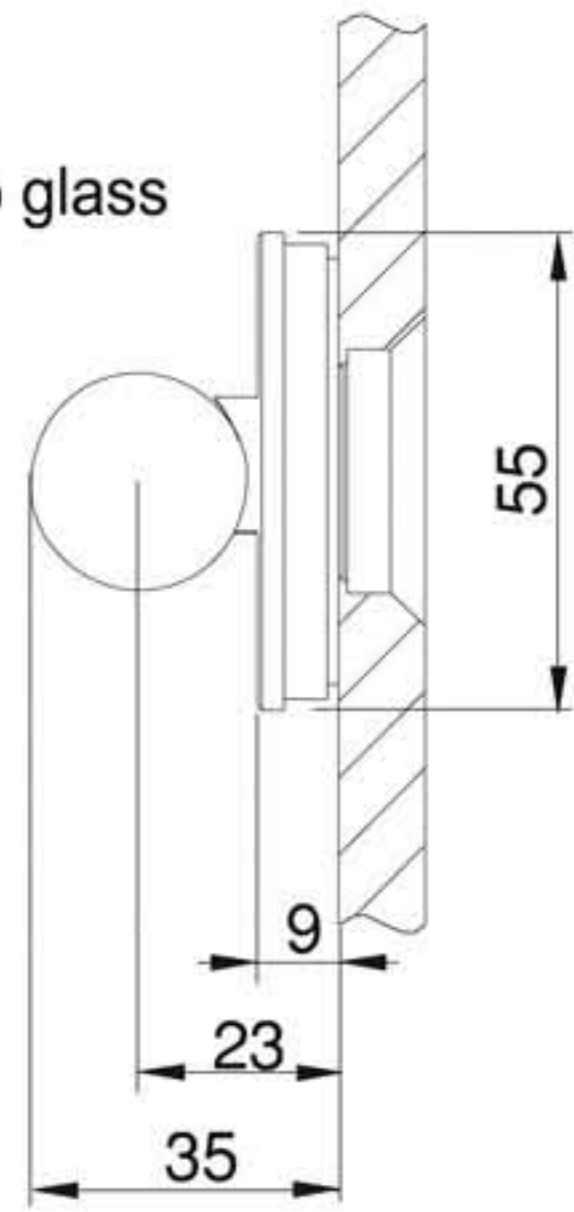
5

Mounting to wall



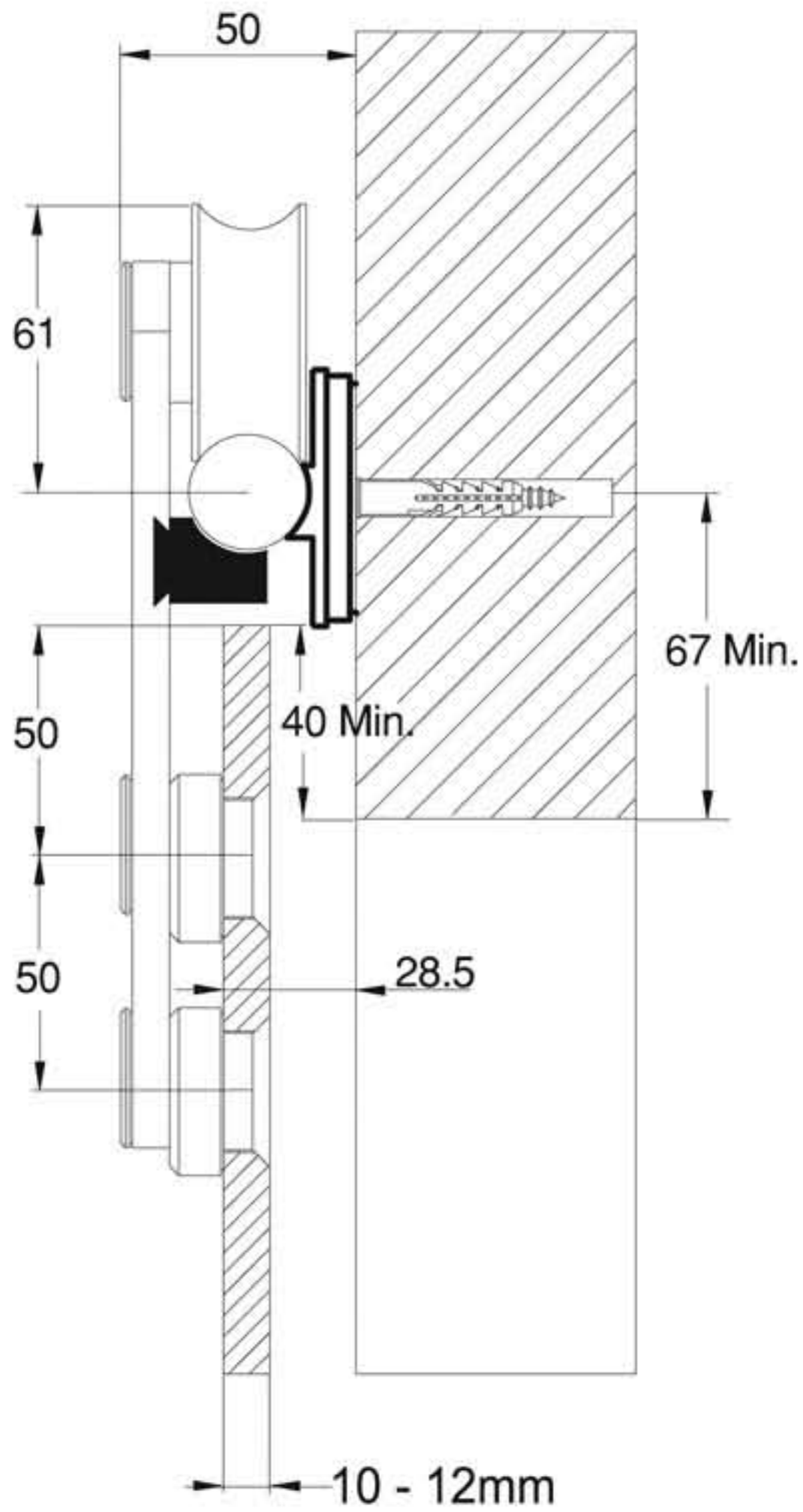
6

Mounted to glass



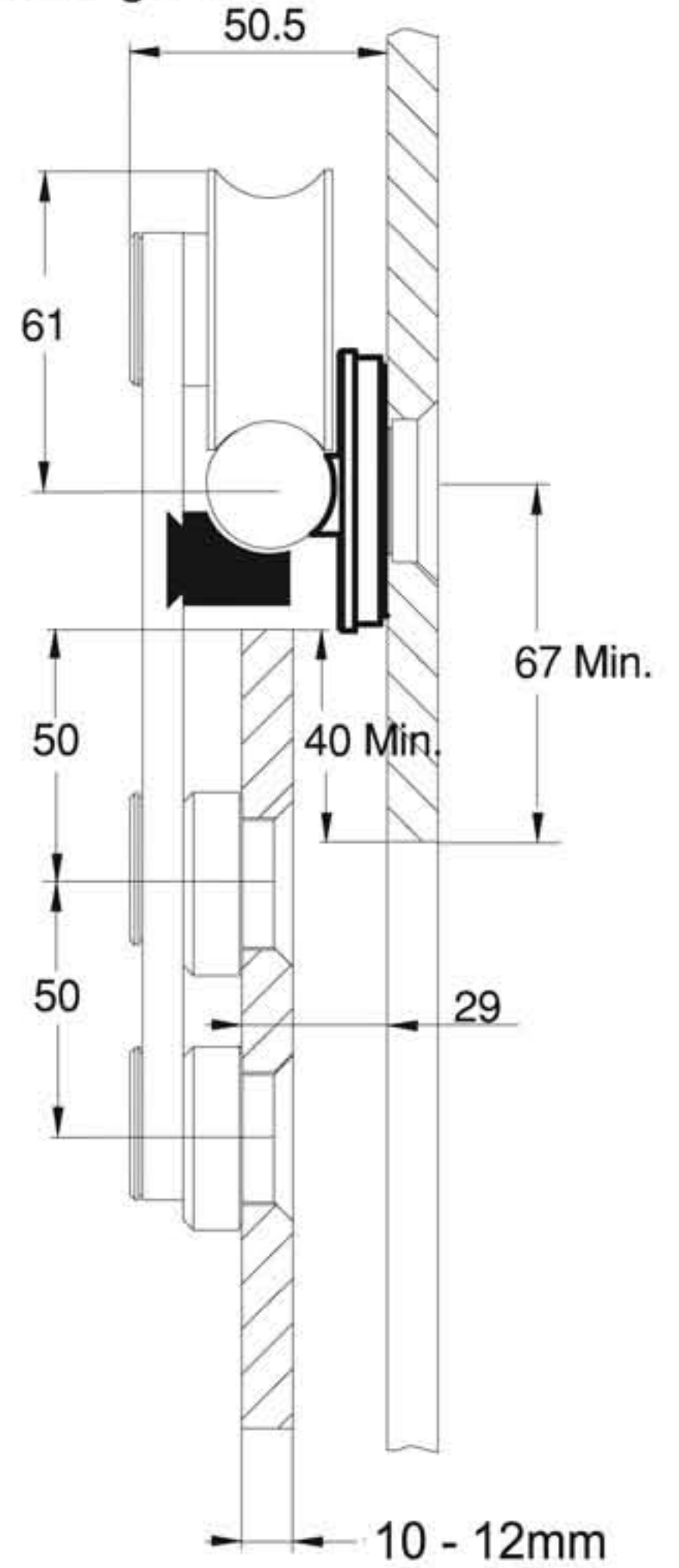
7

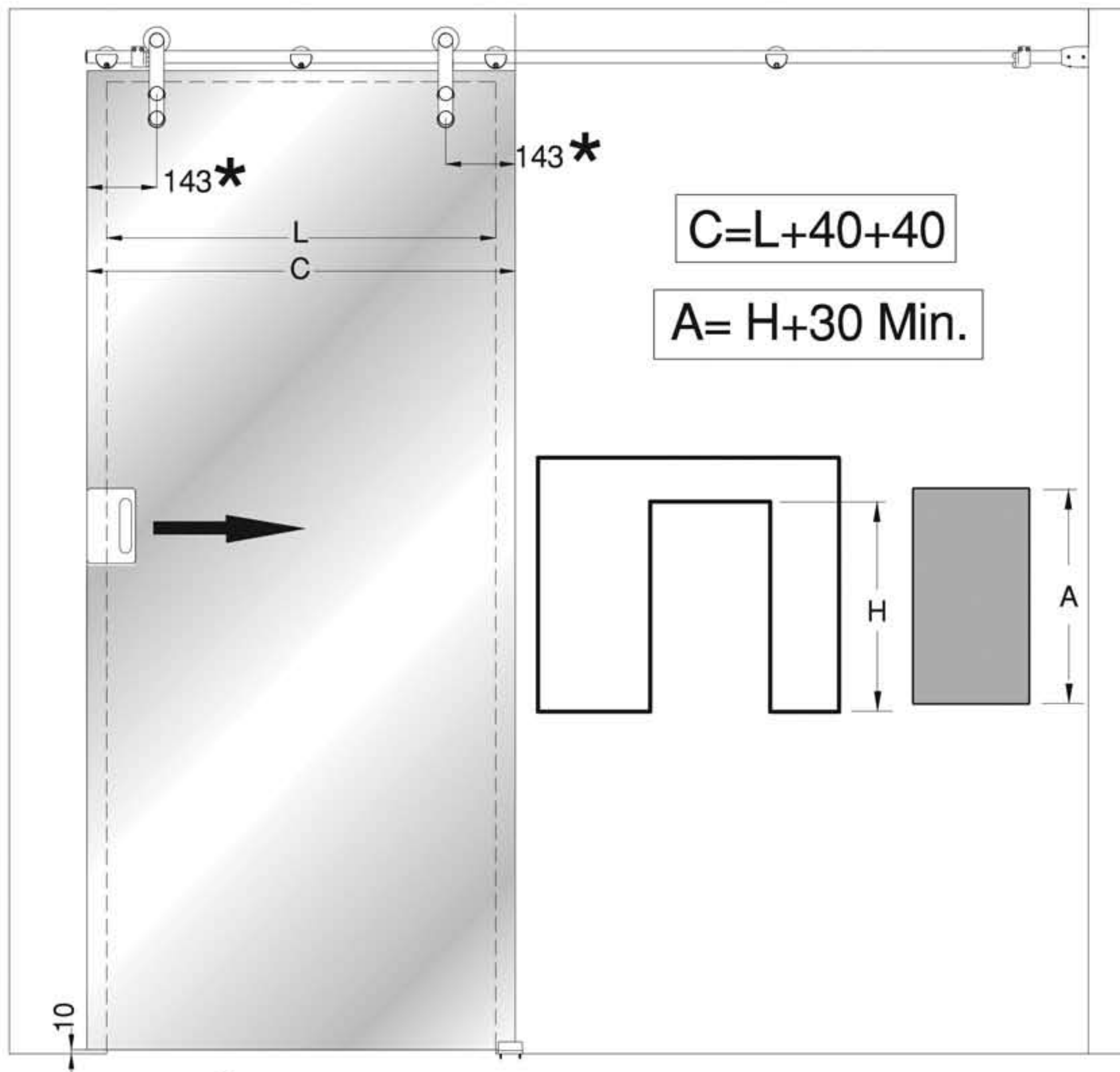
Mounting to wall



8

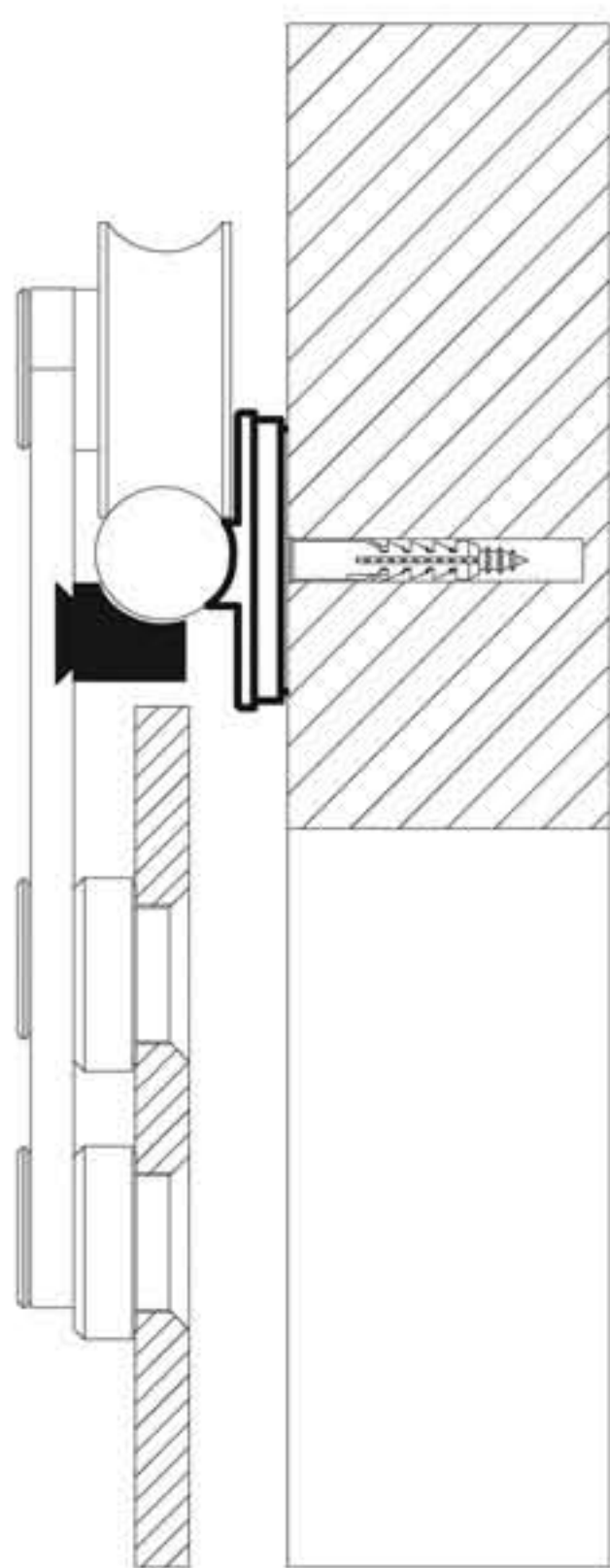
Mounted to glass





* Recommended for doors >600mm and <1100mm wide, or as required

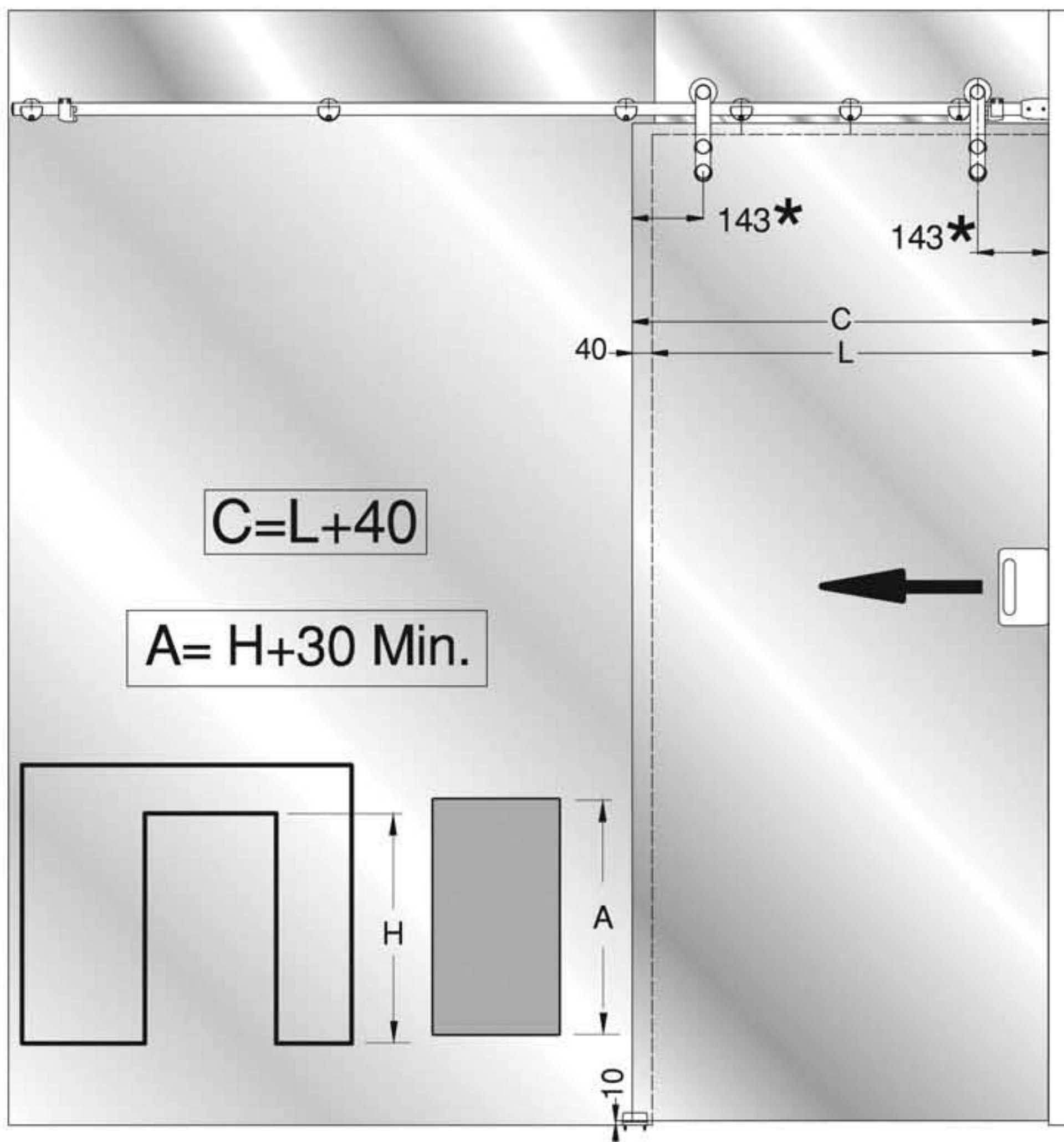
10



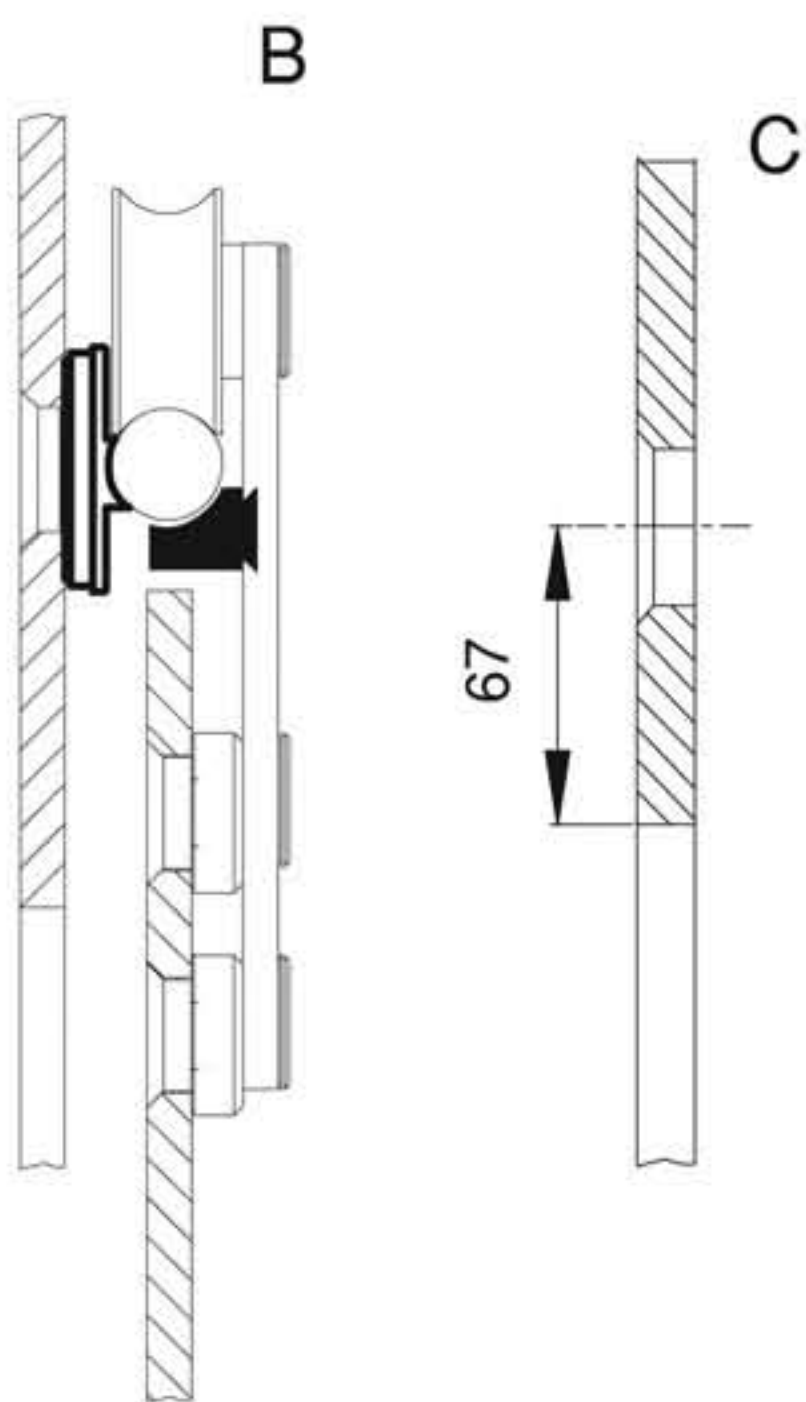
11



Wall mounting

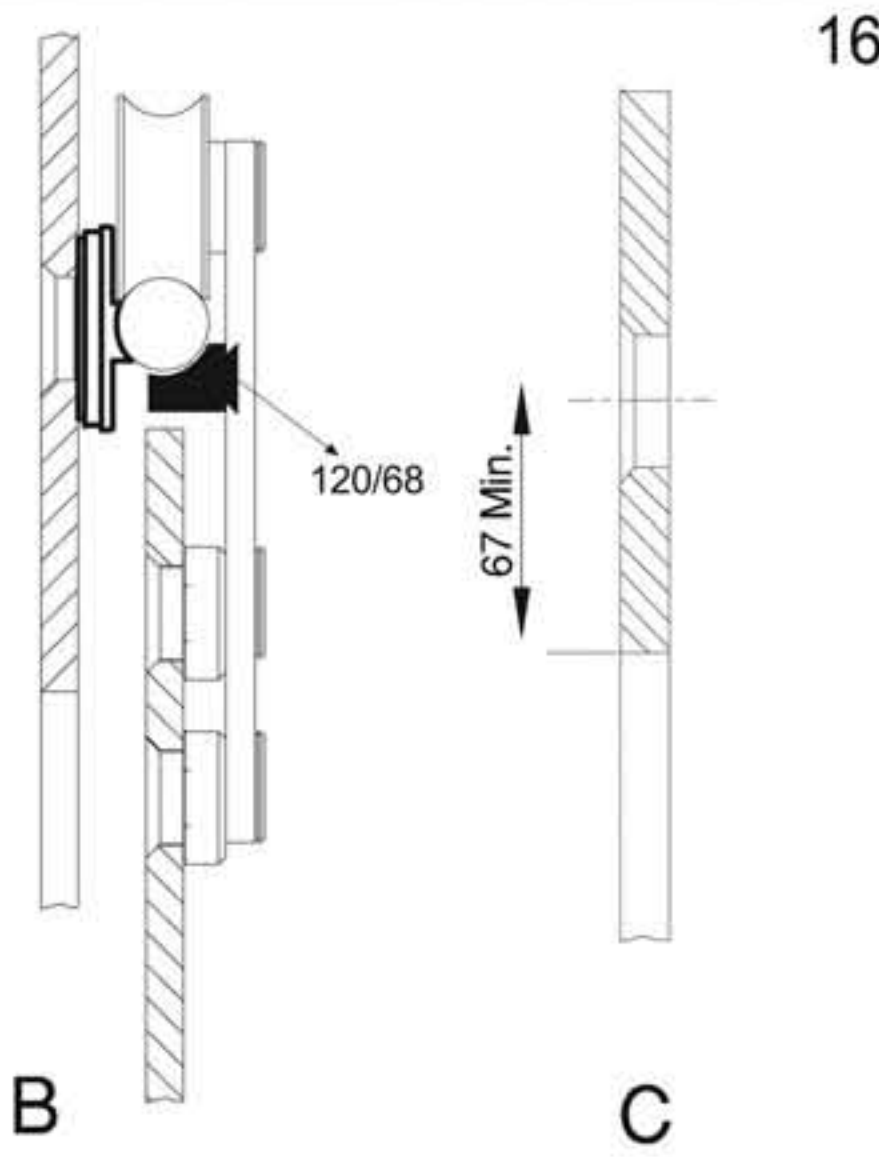
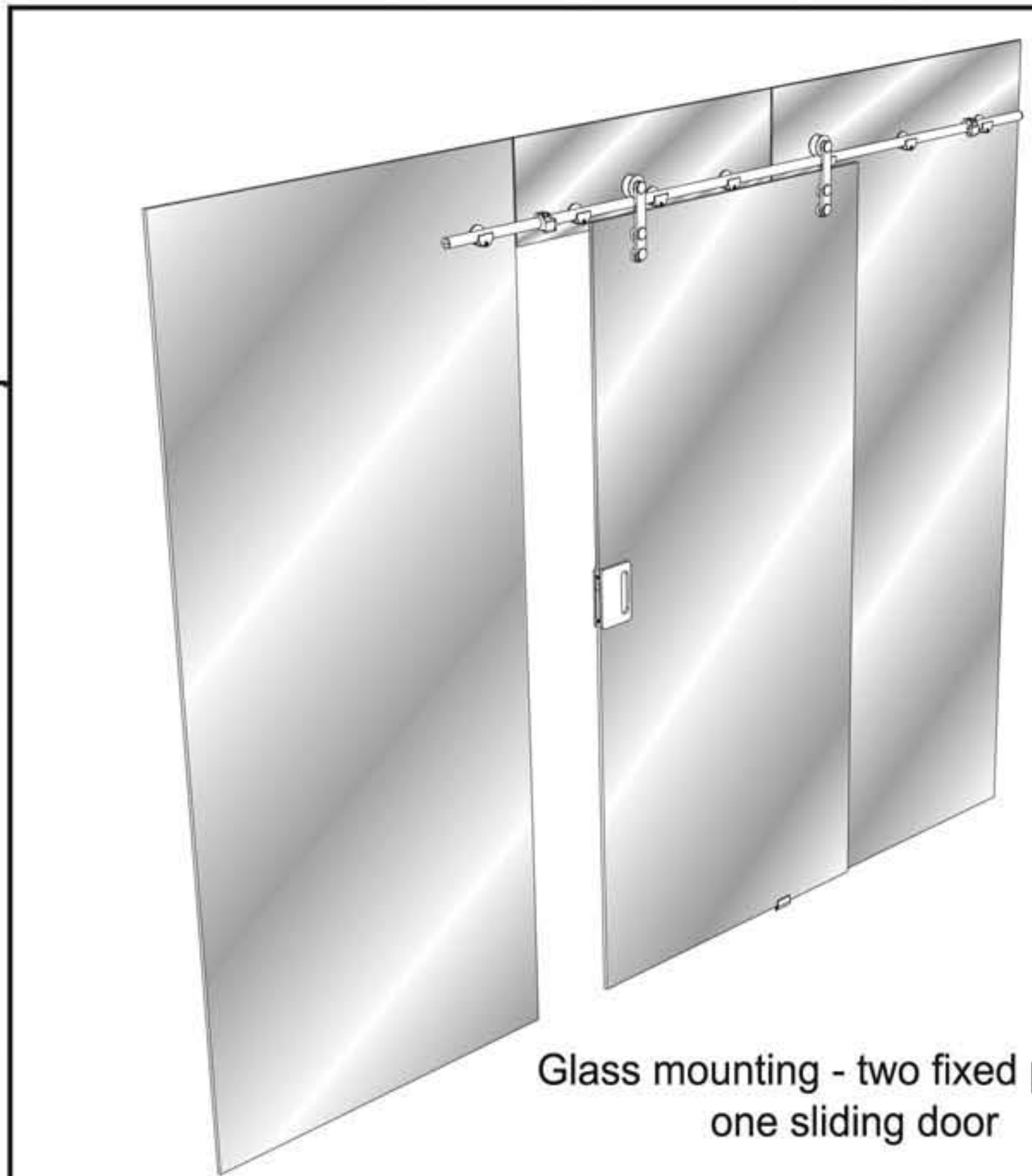
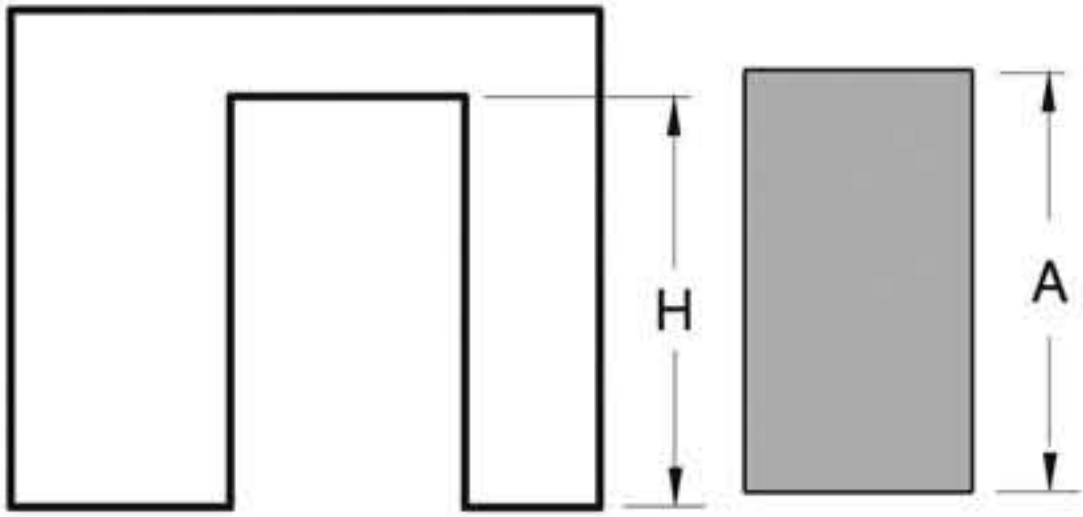
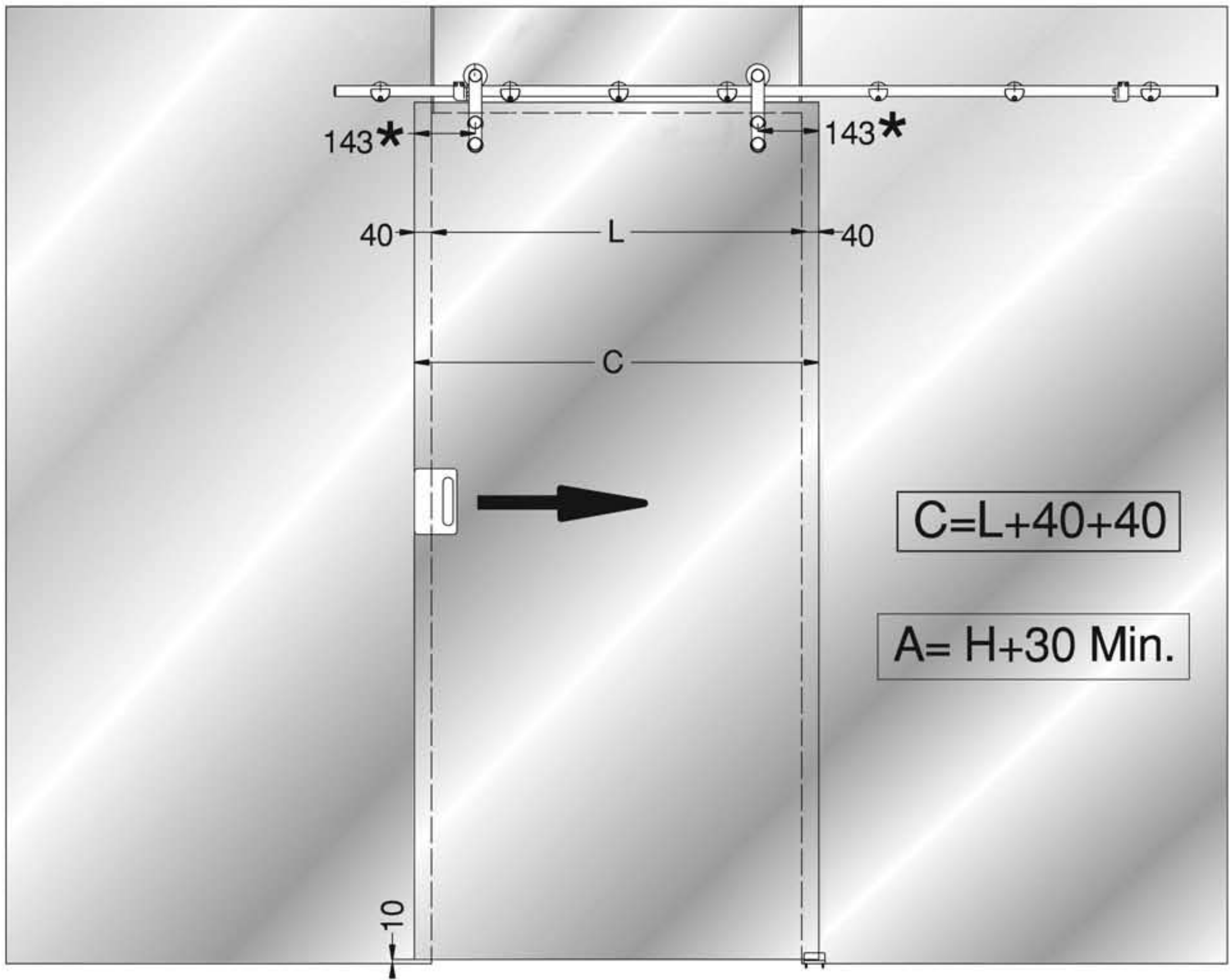


13



14





Glass mounting - two fixed panels, one sliding door

Various single & double door fitting options using the Projeto 150G

