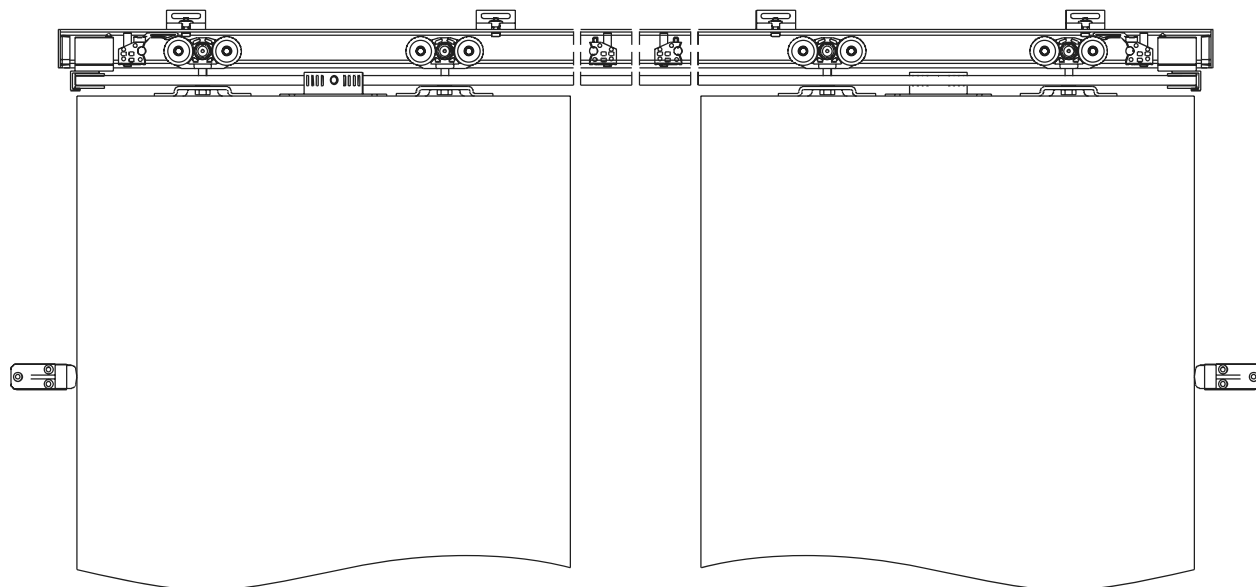




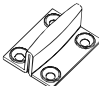

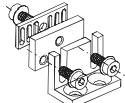

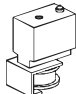


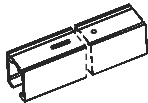
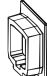




# DOUBLE-LEAF SYNCHRONOUS MANUAL



				
	Wall mounting brackets	117354 117357 117355	119362	064242
<b>CONTENTS OF THE ACCESSORIES KIT PERLAN KS</b>	Set art. no.: 119510	Set art. no.: 119507	Set art. no.: 119508	Set art. no.: 119509
	0x	2x	2x	1x
	5x	2x	2x	1x
	7x	2x	2x	1x
	10x	2x	2x	1x

				
	2x Floor guide 002191	2x Latching spring 064242	2x toothed belt attachment	4x Rail buffer 119362
<b>CONTENTS OF THE ACCESSORIES KIT PERLAN DUOSYNC ART. No. 112837</b>				
	2x Deflection pulley	1x Toothed belt	4x Roller carriage	
			062248 063839 064236	

				
<b>COMPONENTS</b>	Running rail For part no. and length see attachment A	End cap 119649	Additional buffer 000339	Ceiling mounting bracket 119315
		<b>OPTIONAL ACCESSORIES</b>		

### Installing the track

- ▶ Screw-fit mounting brackets/ceiling mounts to the track. When wall-mounting, **any unevenness of the wall of up to  $\pm 3$  mm** can be compensated by moving the bracket within the slot. No mounting brackets/ceiling mounts are required for direct mounting.



Mount the rail at every second hole.



If the clip-on trim panel is used, fit clips and spacers as described in section "Fitting the clip-on trim panel".

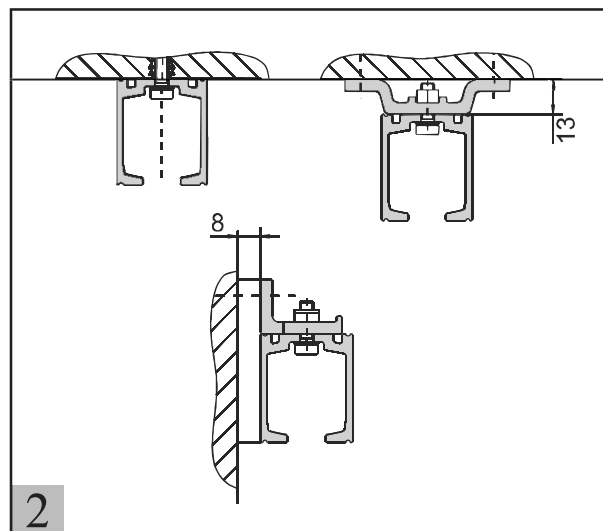
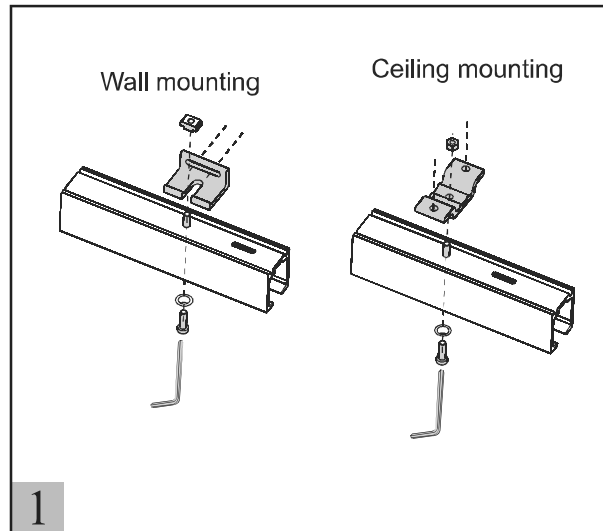
- ▶ Install the track to wall or ceiling, making sure that the running rail is mounted horizontally.



Observe distances in attachment B.



For wall mounting, fit running rail and fixing bracket with spacers of at least 8 mm thickness.



### Preassembling the door leaf

- ▶ Using screws, fit support plates to the upper end face of the door at intervals of 60 mm from the edge and centred on the leaf thickness.

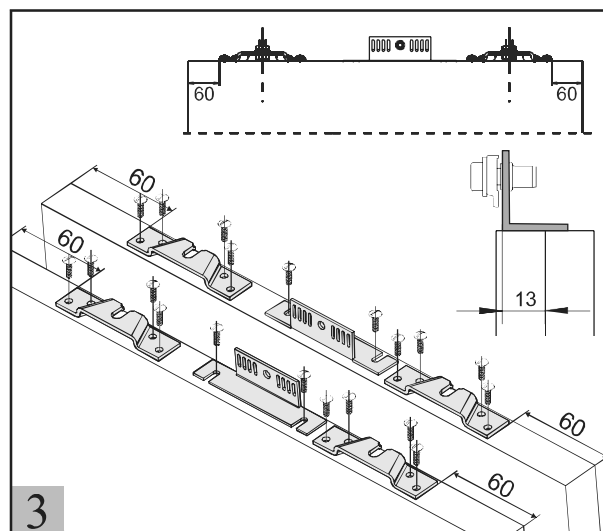


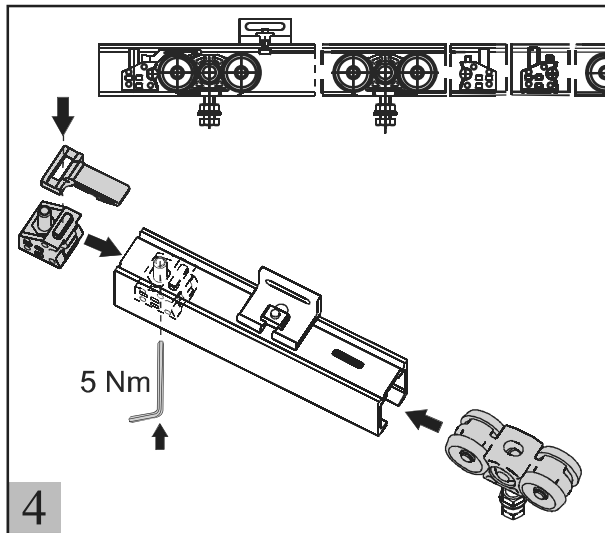
Two support plates per door leaf. The open end of the slot must face the wall.

- ▶ Fit coupling bracket half-way between the support plates.



Door leaf edge with slots faces wall for one leaf and in opposite direction for other. Slotted face should be about 13 mm from leaf axis.





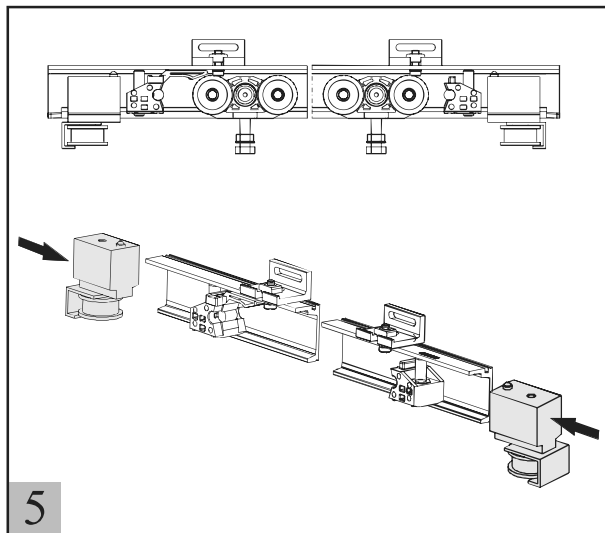
**Assembling the running rail**

- ▶ Starting from the left, slide components into the track in the following order: 1× in rail buffer, 2× roller carriage, 2× in rail buffer, 2× roller carriage, 1× in rail buffer. Position the latching spring on the end at which latching is required.



Observe direction of buffers.

- ▶ Slide in rail buffer to the desired end stop position and tighten to 5 Nm.

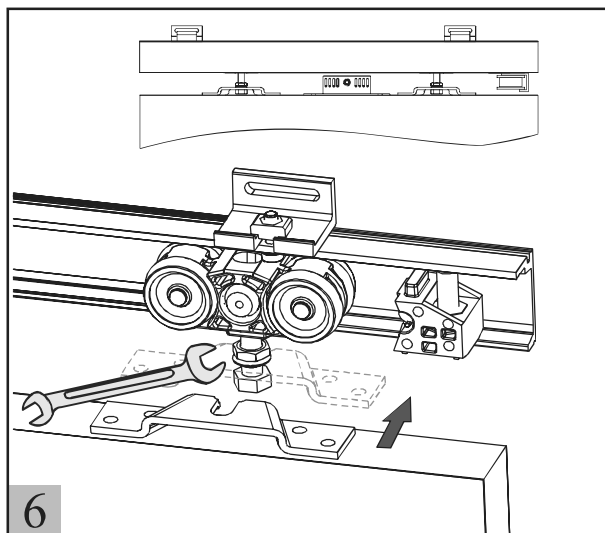


- ▶ Slide deflection pulley into the track.



Do not secure the deflection pulley.

- ▶ At the opposite rail end, slide second deflection pulley into running rail and secure.



**Fitting the door leaves**

- ▶ Engage door leaves in mounting bolt. Firmly tighten lock nut.



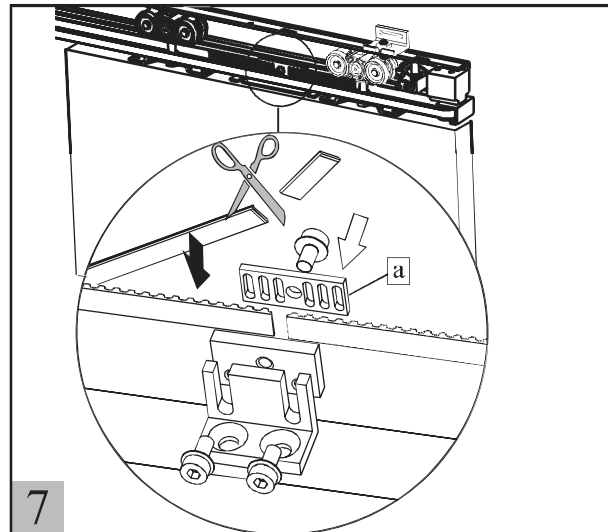
For wall mounting: Fit the door leaf whose coupling bracket faces the wall first as its belt clamp screw is difficult to access.



Adjust leaf height by turning the suspension bolt clockwise or anticlockwise before tightening the lock nut.

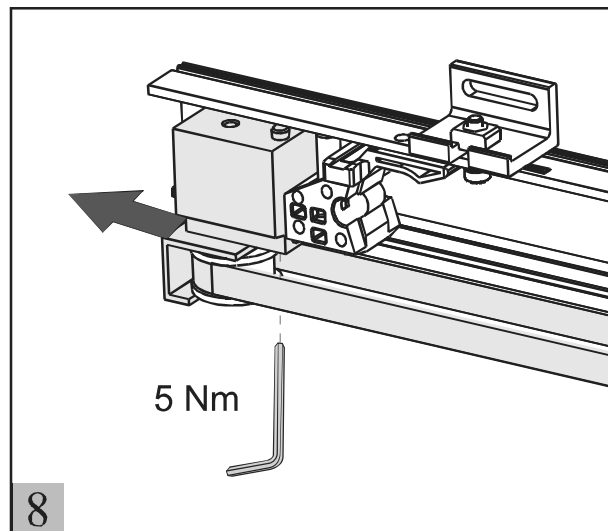
### Fitting the toothed belt

- ▶ Lay toothed belt around one deflection pulley with the smooth side facing inwards.
- ▶ Place toothed belt around deflection pulley and connect its ends at the coupling bracket nearest the wall.
- ▶ Cut the toothed belt to the required length and secure in the belt clamp **a**, making sure that the belt is as tightly tensioned as possible.
- ▶ Repeat procedure for second coupling bracket, observing position of door leaf.



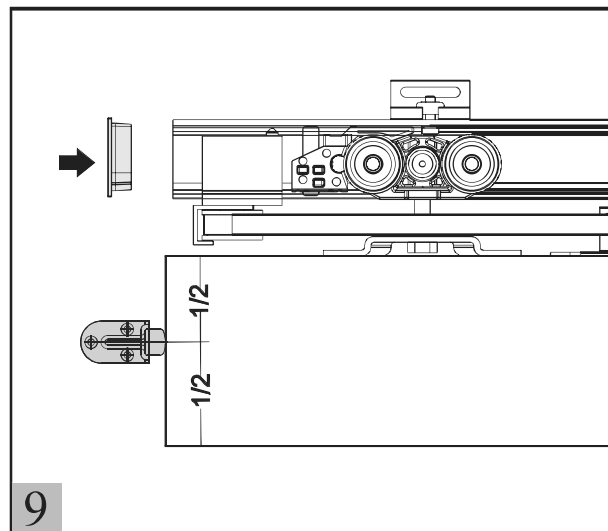
### Tensioning the toothed belt

- ▶ Pull the loosened deflection pulley towards the outside and tighten to 5 Nm.
- ! If the toothed belt is too long, open belt clamp, shorten toothed belt, retighten belt clamp.
- ! The toothed belt must not sag.

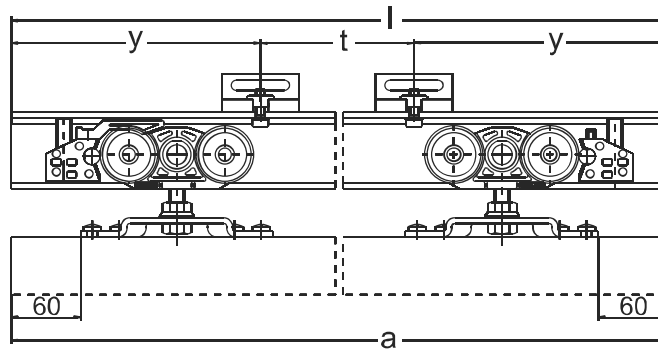


### Final assembly of door leaves

- ▶ Screw-fit an additional door buffer half way up the door leaf.
- ▶ Clip on the end cap (optional).



**ATTACHMENT A**



Leaf width a	Running rail length l	Running rail art. no.	Hole spacing t	y
510 - 700	1250	120124	350	100
710 - 900	1650	120127	350	125
910 - 1100	2050	120130	350	150
1100 - 1300	2450	120131	350	175
1310 - 1500	2850	120132	350	25
1510 - 1700	3250	120134	350	50
Std. length	6000	120135	350	25
Precut length	To order	120139	350	--

**ATTACHMENT B**

