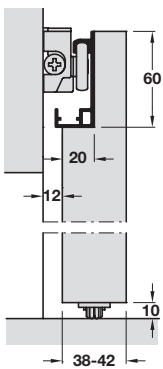


SLIDO DESIGN 80-M SLIDING DOOR SYSTEM

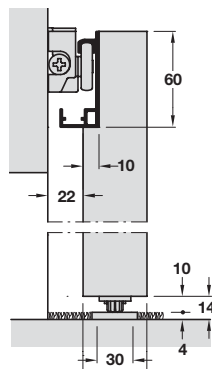


Allows wall mounted wooden doors to slide across openings as if they were floating, unique design means all tracks and fixings are hidden. Suitable for residential or commercial applications such as offices, meeting rooms or hotels.

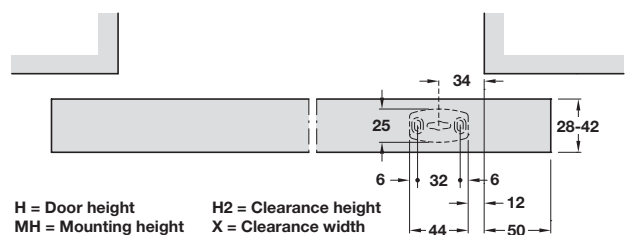
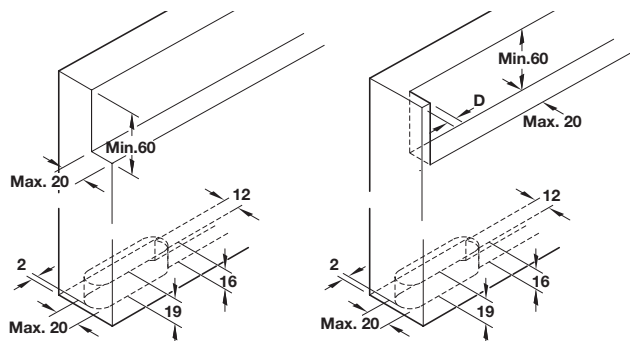
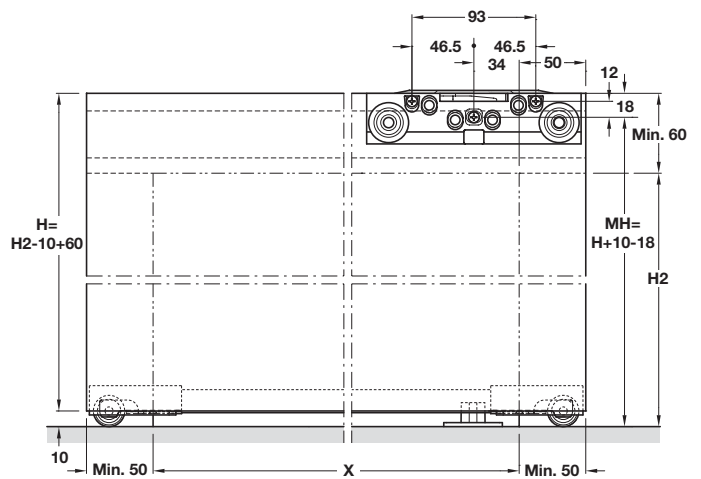
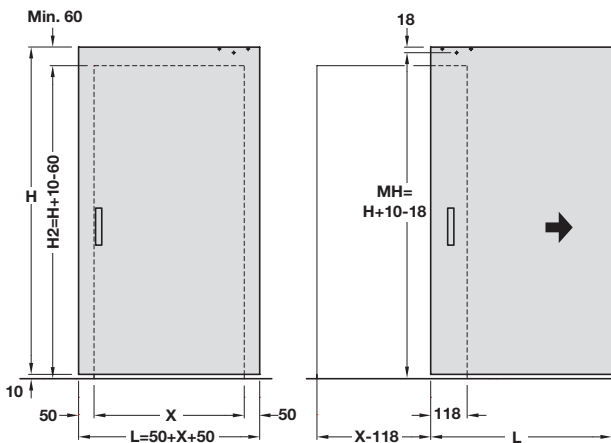
- > Slido Design 80-M
- > Range:
 - Max. door weight **80 kg**
 - For door width **800-1800 mm**
 - Min. door thickness **30 mm**
 - Height adjustment **± 2 mm**
- > Includes soft closing mechanism
- > Top track can be recessed into the door for a wall to door clearance of 12 to 22 mm or face fixed with a clearance of 32 mm for skirting boards



Door clearance 12 mm



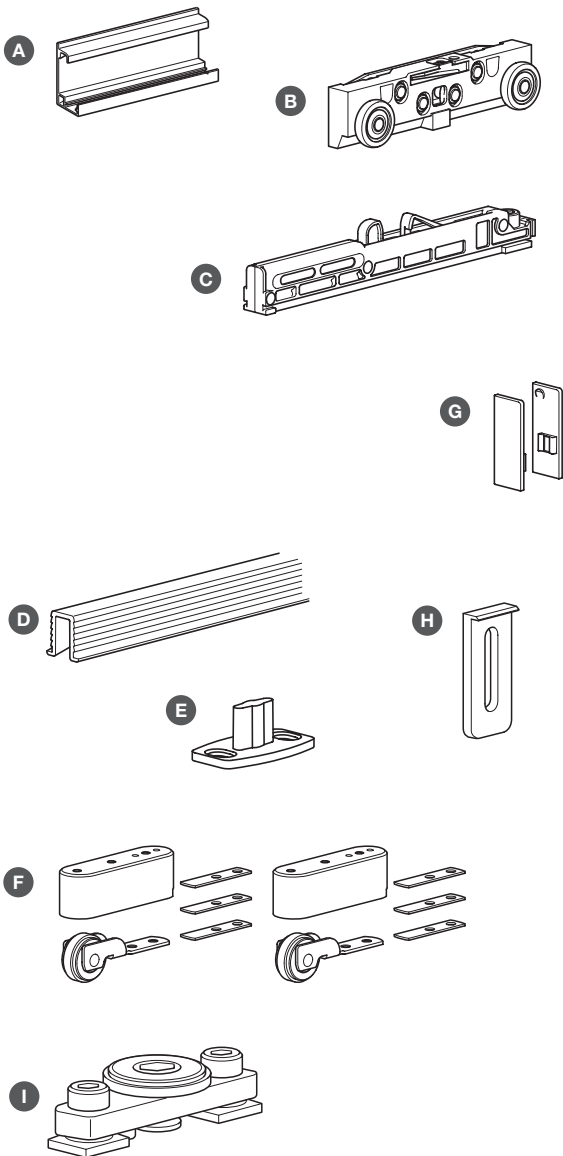
Door clearance 22 mm with running track



H = Door height
MH = Mounting height
H2 = Clearance height
X = Clearance width

SLIDING DOOR FITTINGS 2014, © Häfele U.K. Ltd 2014. Dimensional data not binding. We reserve the right to alter specifications without notice.

Slido Design 80-M complete fitting set



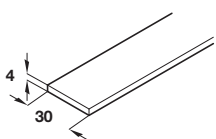
- > Fitting sets for one door
- A Rail, 1100 or 1800 mm length
- B Top running gear, wall mounted
- C Soft close, plastic housing
- D Guide channel, grey plastic
- E Guide
- F Bottom roller, grey plastic housing
- G End caps, 1 pair black, 1 pair silver coloured
- H Distance plates, 3x 1 mm, 3x 2 mm and 3x 3 mm
- I Distance roller
- > Order qty: 1 set

| Fitting sets for 1 door | 1100 mm | 1800 mm |
|-------------------------|------------|------------|
| A Rail | 1 pc | 1 pc |
| B Top running gear | 1 pc | 1 pc |
| C Soft close | 2 pcs | 2 pcs |
| D Guide channel | 1 pc | 1 pc |
| E Guide | 1 pc | 1 pc |
| F Bottom roller | 1 set | 1 set |
| G End caps | 1 set | 1 set |
| H Distance plates | 1 set | 1 set |
| I Distance roller | 2 pcs | 2 pcs |
| Cat. No. | 940.59.002 | 940.59.003 |



> The bottom rollers need to run on a solid floor, if carpet is present then a running track strip must be used, shown below

Running track for soft floors



- > Silver coloured anodised aluminium
- > Order qty: 1 pc

| Length | Cat. No. |
|---------|------------|
| 2200 mm | 940.59.802 |
| 3600 mm | 940.59.803 |