

GEZE Perlan DuoSync

Perlan DuoSync – another variation on the Perlan 140 sliding door fitting system – is designed to facilitate synchronised movement of two door leaves facing one another.

Thanks to the maintenance-free deflection system, it enables the two door leaves to be opened and closed with ease and comfort, using just one hand.

Additional product features

- ▶ Large opening widths: up to 2400 mm
- ▶ All the product benefits of the Perlan 140 basic system
- ▶ Option of simple yet stylish concealment using the GEZE aluminium clip-on screen system

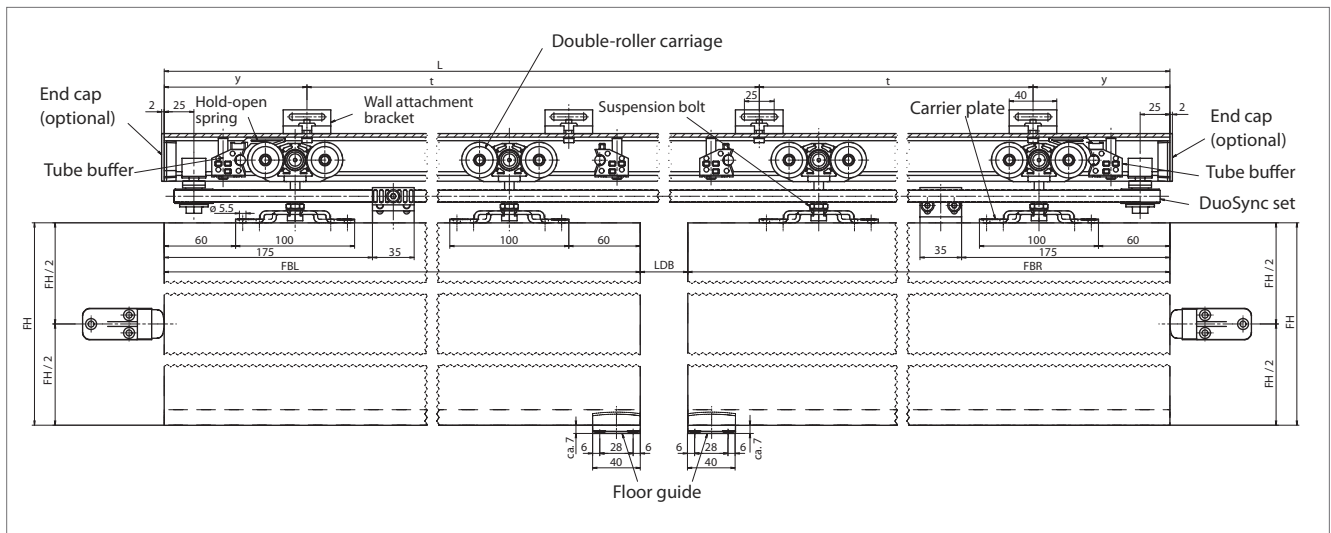


Fig. 20-1

Standard mounting for Perlan DuoSync

The procedure for mounting GEZE Perlan DuoSync on a synchronised, double-leaf wooden sliding door with a carrier plate (manual) is illustrated in Fig. 20-1.

The fitting may be mounted directly on the ceiling or, using a plate or bracket, may be mounted on the ceiling or wall (see Fig. 20-2).

Installation drawing

Drawing no. 10421-ep08

Note:

Removable panels must be installed to enable access to wall recesses. The door leaf must be secured using a bracket buffer in addition to the tube buffer. The buffers must be installed halfway up the height of the door.

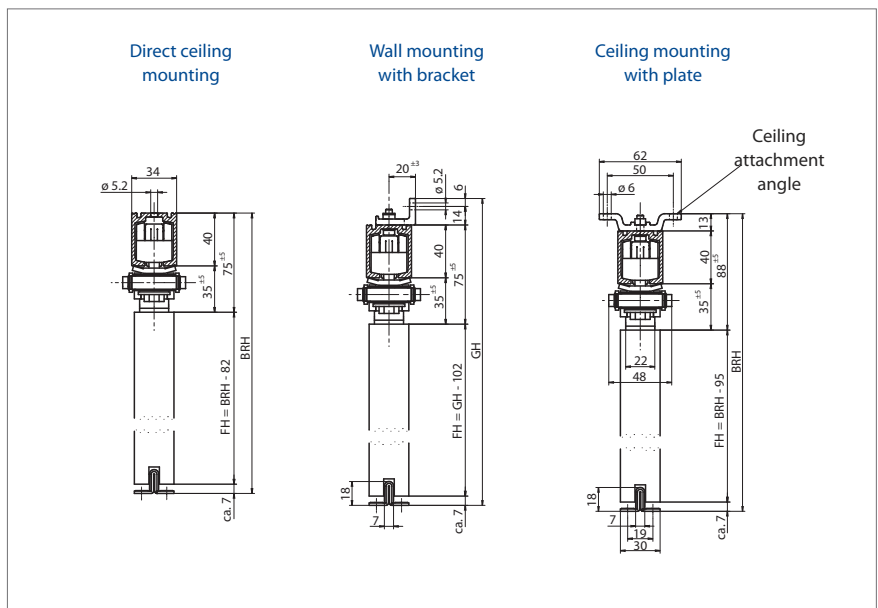


Fig. 20-2

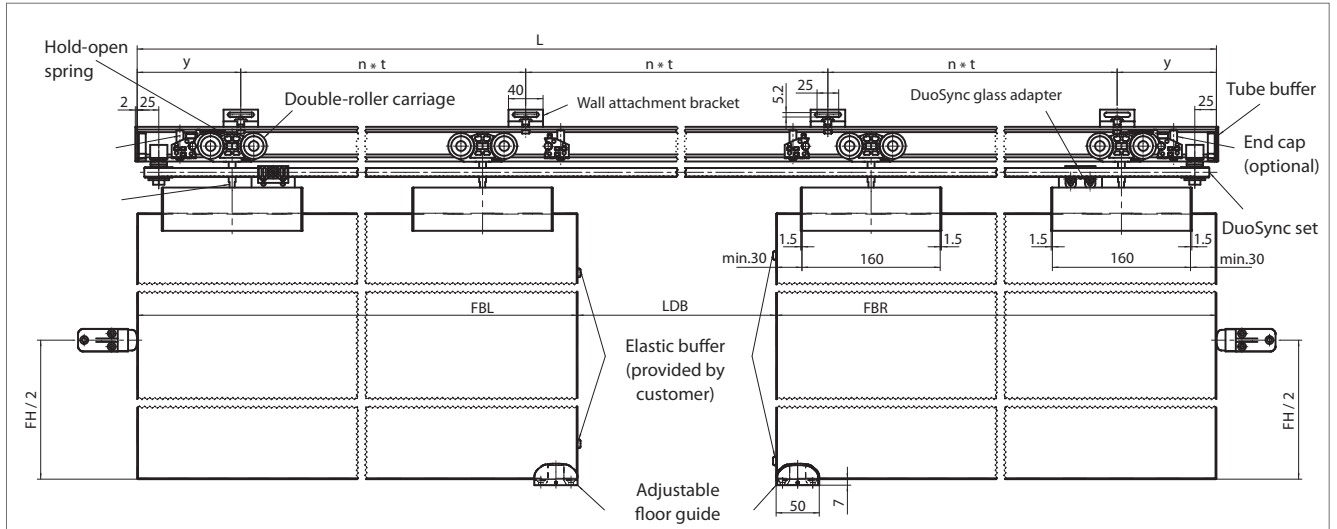


Fig. 21-1

Standard mounting for Perlan DuoSync on glass leaves

The procedure for mounting GEZE Perlan DuoSync on a synchronised, double-leaf glass door with a clamping plate (manual) is illustrated in Fig. 21-1

The fitting may be mounted directly on the ceiling or, using a plate or bracket, may be mounted on the ceiling or wall (see Fig. 21-2).

Installation drawing

Drawing no. 10421-ep09

Note:

Removable panels must be installed to enable access to wall recesses.

The door leaf must be secured using a bracket buffer in addition to the tube buffer.

The buffer must be installed halfway up the height of the door.

It is recommended that you protect the main closing edge using elastic buffers (supplied by the customer).

Product features

- ▶ In addition to the DuoSync set, a glass adapter for synchronising glass leaves is available.
- ▶ All the product benefits of the Perlan 140/Perlan DuoSync are gained with this individual solution.
- ▶ A GEZE clip-on screen system option is also available for concealment purposes.

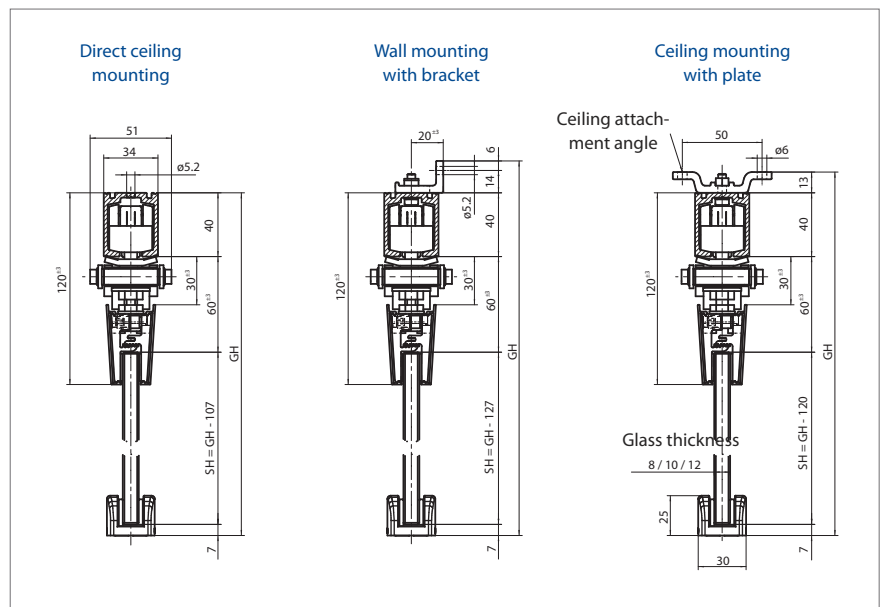


Fig. 21-2

Key

- LWL = Leaf width, left (mm)
- LWR = Leaf width, right (mm)
- L = Track length (mm)
- t = Hole clearance (mm)
- x = Number of wall/ceiling attachment brackets
- y = Clearance (mm) from end of track to centre of drill hole for angle bracket
- BL = Bearing length (mm)
- LH = Leaf height (mm)
- CH = Construction height (mm)
- OH = Overall height (mm)
- CPW = Clear passage width (mm)